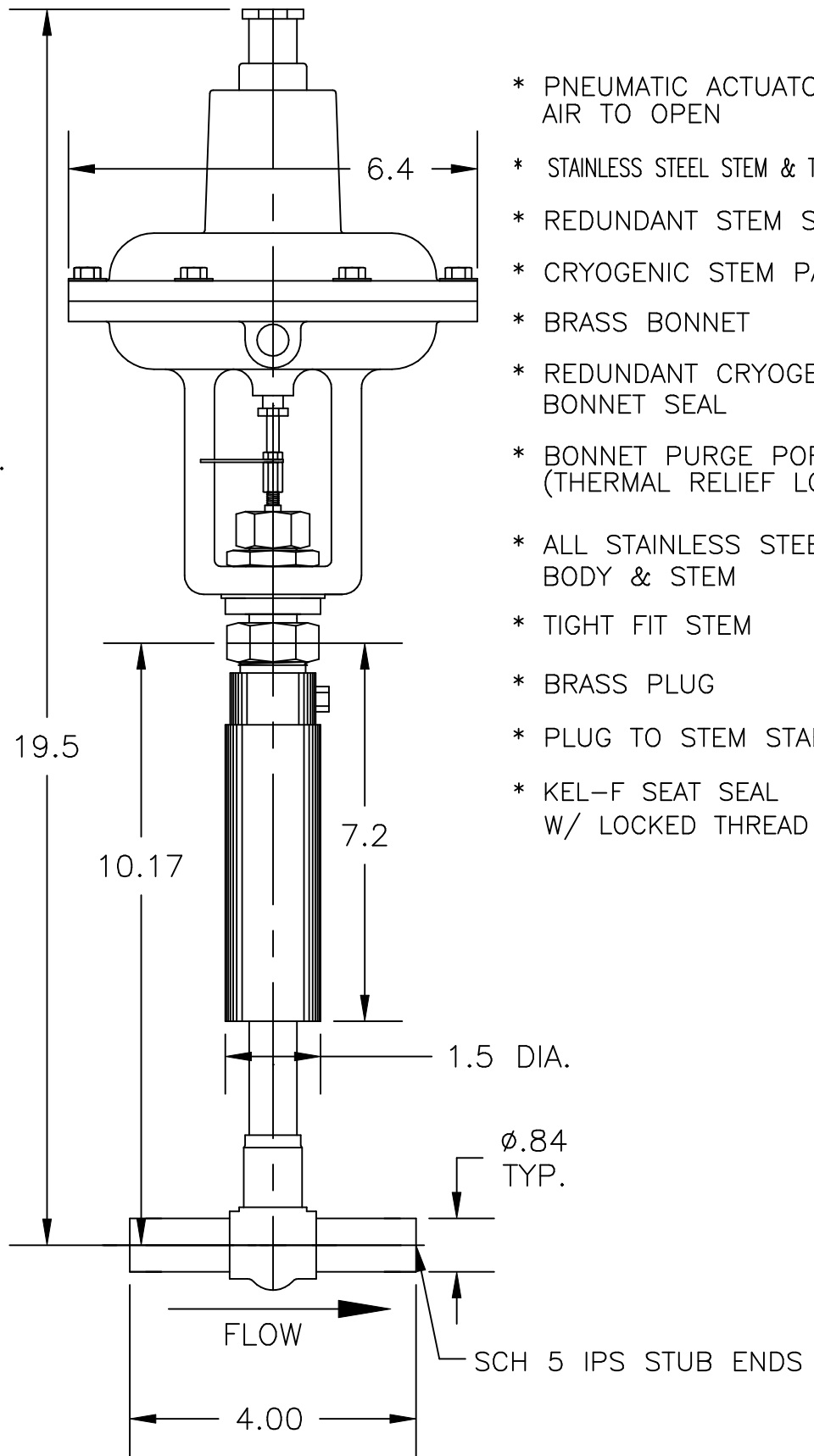


**TECHNICAL DATA:**

1. 150 PSI WORKING PRESSURE  
300 PSI RATING  
PRESSURE.
2. SEAT SEAL BUBBLE  
TIGHT @ 150 PSIG.
3. PACKING MASS SPEC  
TESTED @  $1 \times 10^{-5}$   
TORR VACUUM. LEAK  
RATE BELOW  $1 \times 10^{-9}$   
CC GHe/SEC.
4. HEAT LEAK :  
4.5 BTU/HR TO 20°k.
5. COOLDOWN MASS:  
0.85 POUNDS.



- \* PNEUMATIC ACTUATOR  
AIR TO OPEN
- \* STAINLESS STEEL STEM & THREADS
- \* REDUNDANT STEM SEAL
- \* CRYOGENIC STEM PACKING
- \* BRASS BONNET
- \* REDUNDANT CRYOGENIC  
BONNET SEAL
- \* BONNET PURGE PORT  
(THERMAL RELIEF LOCATION)
- \* ALL STAINLESS STEEL  
BODY & STEM
- \* TIGHT FIT STEM
- \* BRASS PLUG
- \* PLUG TO STEM STABILIZER
- \* KEL-F SEAT SEAL  
W/ LOCKED THREAD INSERT

1/2"IPS CRYOGENIC VALVE W/PNEUMATIC ACTUATOR