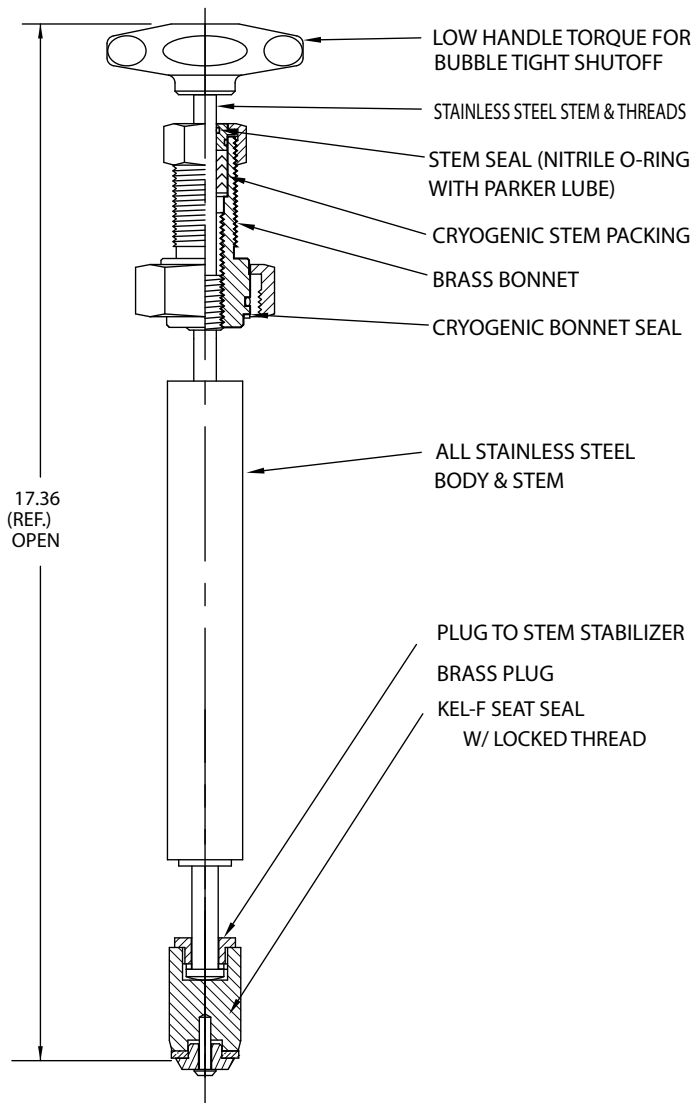


## C2000 CRYOGENIC VALVE SERIES

# Model C2081-M-TW

## • 1.0" Replacement Internal Valve Assembly, Manual Operation



## FEATURES

- Low Handle Torque For Bubble Tight Shutoff
- Stainless Steel Stem & Threads
- Stem Seal (Nitrile O-Ring With Parker Lube)
- Cryogenic Stem Packing
- Brass Bonnet
- Cryogenic Bonnet Seal
- All Stainless Steel Body & Stem
- Plug To Stem Stabilizer
- Brass Plug
- Kel-F Seat Seal W/ Locked Thread

## TECHNICAL DATA

- See C2081 Manual Valve Product Sheet for Technical Data

## APPLICATIONS

- Vacuum Jacketed Piping
- Cold Boxes
- Manifold and Tank Systems
- Liquid Nitrogen, Helium, Hydrogen, Argon, and Oxygen Service (with Proper Cleaning)



**CRYOGENIC VALVES and VACUUM COMPONENTS**

sales@cryocomp.com ▼ 908.686.3643 ▼ www.cryocomp.com

a division of Cryofab, Inc.

