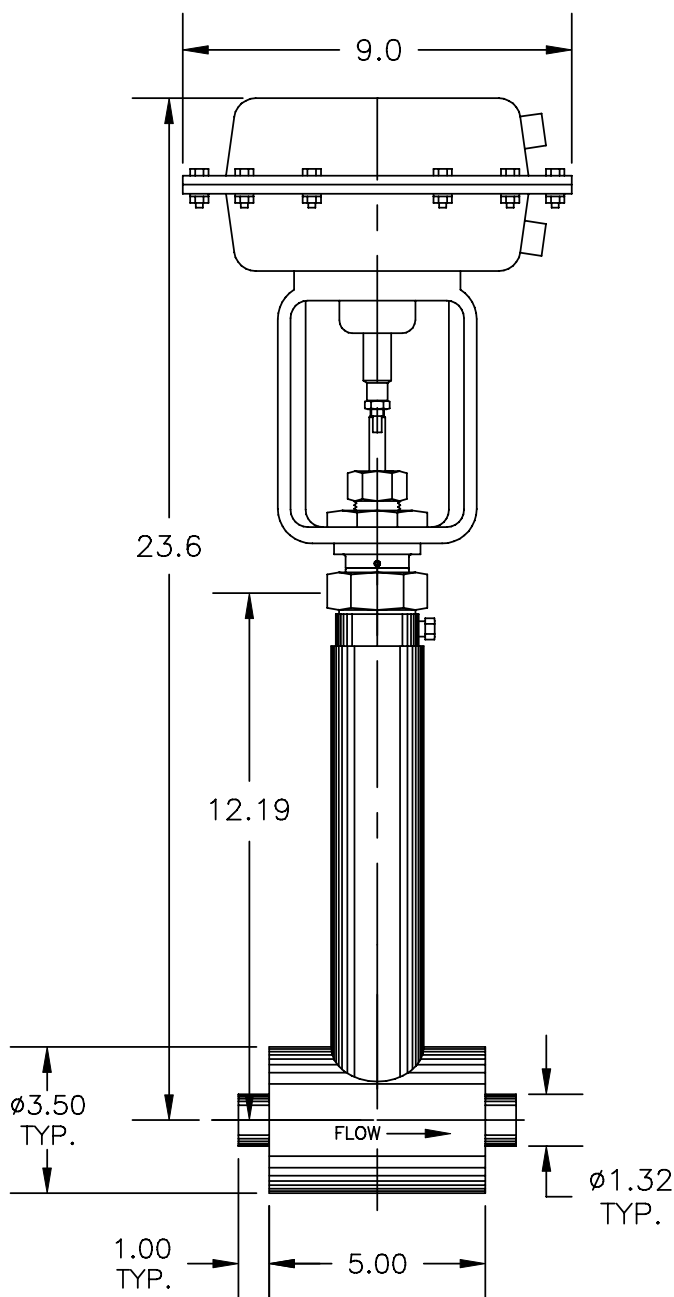


## C2000 CRYOGENIC VALVE SERIES

# Model C2081-C21-1194

## • 1" IPS Cryogenic Valve w/ Pneumatic Actuator



## FEATURES

- Pneumatic Actuator (ATO)
- Position Switches & Solenoid Vtv Nema 12
- Stainless Steel Stem & Threads
- Redundant Stem Seal
- Cryogenic Stem Packing
- Brass Bonnet
- Redundant Cryogenic Bonnet Seal
- Bonnet Purge Port
- (Thermal Relief Location)
- All Stainless Steel Body & Stem
- Tight Fit Stem
- MLI on Jacketed Valves
- Brass Plug
- Plug to Stem Stabilizer
- KEL-F Seat Seal w/ Locked Thread
- SCH 5 IPS Stub Ends

## TECHNICAL DATA

- 300 PSI MAWP (Maximum Operating Pressure)
- Seat Seal Bubble Tight @ 150 PSIG
- Packing Mass Spec Tested @  $1 \times 10^{-5}$  Torr
- Leak Rate Below  $1 \times 10^{-9}$  CC GHe/SEC
- Heat Leak: 10.4 BTU/HR to 20° k
- Cooldown Mass: 3.80 Pounds

## APPLICATIONS

- Vacuum Jacketed Piping
- Cold Boxes
- Manifold and Tank Systems
- Liquid Nitrogen, Argon and Oxygen Service (with Proper Cleaning)