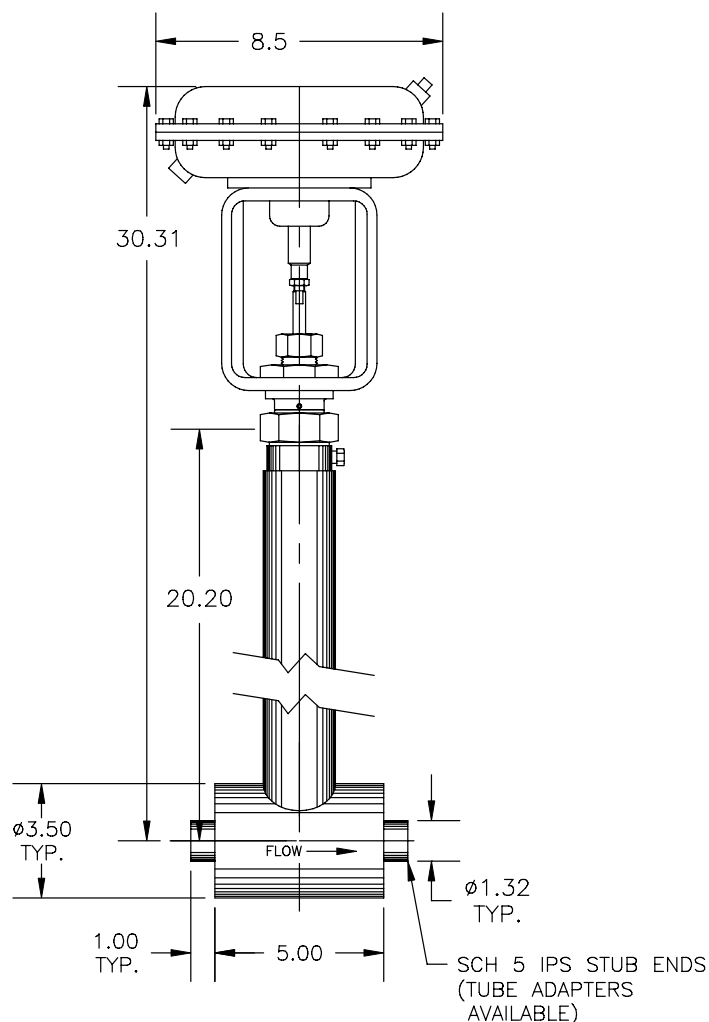


## C3000 LIQUID HELIUM VALVE SERIES

# Model C3081-A21

## • 1" IPS Cryogenic Liquid Helium Valve with Pneumatic Actuator



## FEATURES

- Stainless Steel Stem & Threads
- Redundant Stem Seal
- Cryogenic Stem Packing
- Brass Bonnet
- Redundant Cryogenic Bonnet Seal
- Bonnet Purge Port (Thermal Relief Location)
- All Stainless Steel Body & Stem
- Tight Fit Stem
- Mli On Jacketed Valves 20 Layers
- Brass Plug
- Plug To Stem Stabilizer
- Kel-F Seat Seal W/ Locked Thread

## TECHNICAL DATA

- 150 PSIG Working Pressure  
300 PSIG Rating
- Seat Seal Bubble Tight @ 150 PSIG.
- Packing Mass Spec Tested @  $1 \times 10^{-5}$  Torr Vacuum. Leak Rate Below  $1 \times 10^{-9}$  Cc Ghe/Sec.
- Heat Leak: 6.26 Btu/Hr To  $20^{\circ}$  k
- Cooldown Mass: 3.80 Pounds.
- Options:  
Cold Box Jacket  
Manual Operation  
Relief Valve  
Contoured Flow Plug

## APPLICATIONS

- Vacuum Jacketed Piping
- Cold Boxes
- Helium Transfer Lines
- Helium Liquefiers



**CRYOGENIC VALVES and VACUUM COMPONENTS**

sales@cryocomp.com ▼ 276.728.2064 ▼ www.cryocomp.com

a division of Cryofab, Inc.

