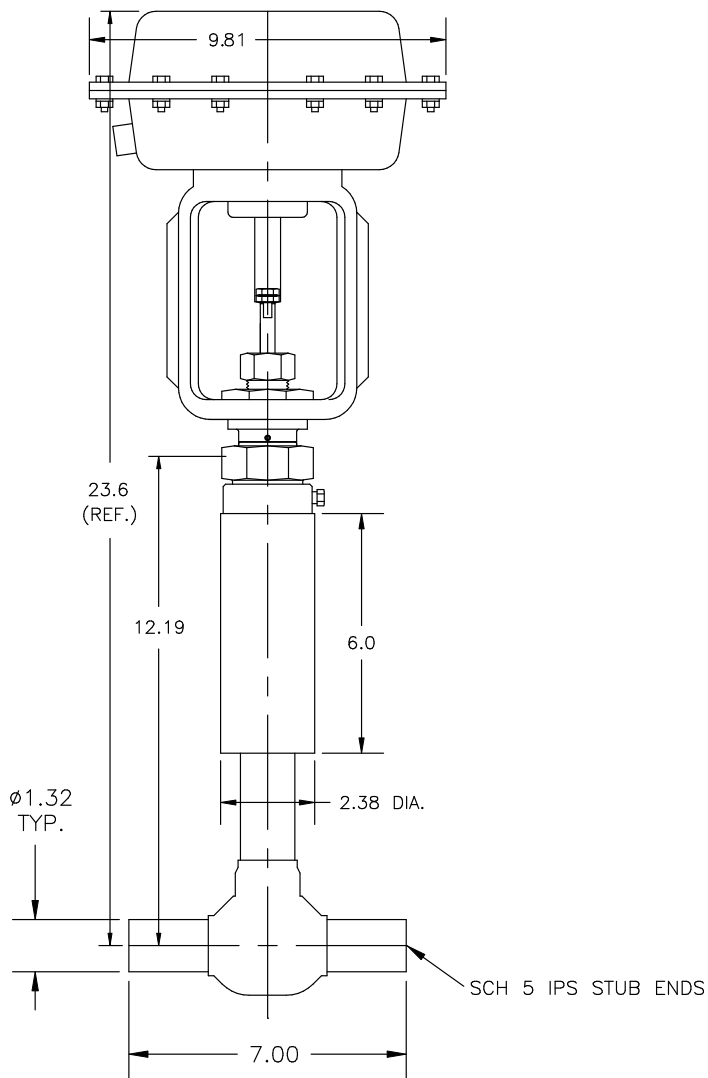


## C2000 CRYOGENIC VALVE SERIES

# Model C2081-A23

- 1" IPS Pipe Size Cryogenic Valve
- Actuated
- Cold Box Cuff
- Globe Style Body



## FEATURES

- Pneumatic Actuator Fail Closed
- Stainless Steel Stem and Threads
- Redundant Stem Seal
- Cryogenic Stem Packing
- Brass Bonnet
- Redundant Cryogenic Bonnet Seal
- Bonnet Purge Port (Thermal Relief Location)
- Tight Fit Stem
- MLI on Jacketed Valves
- Brass Plug
- Plug To Stem Stabilizer
- KEL-F Seat Seal w/ Locked Thread

## TECHNICAL DATA

- 300 PSI MAWP (Maximum Operating Pressure)
- Seat Seal Bubble Tight @ 150 PSIG
- Packing Mass Spec Tested @  $1 \times 10^{-5}$  Torr
- Leak Rate Below  $1 \times 10^{-9}$  CC GHe/SEC
- Heat Leak: 10.4 BTU/HR To 20° K
- Cooldown Mass: 3.80 Pounds

## APPLICATIONS

- Cold Boxes
- Manifold and Tank Systems
- Liquid Nitrogen, Helium, Hydrogen, Argon, and Oxygen Service (with Proper Cleaning)