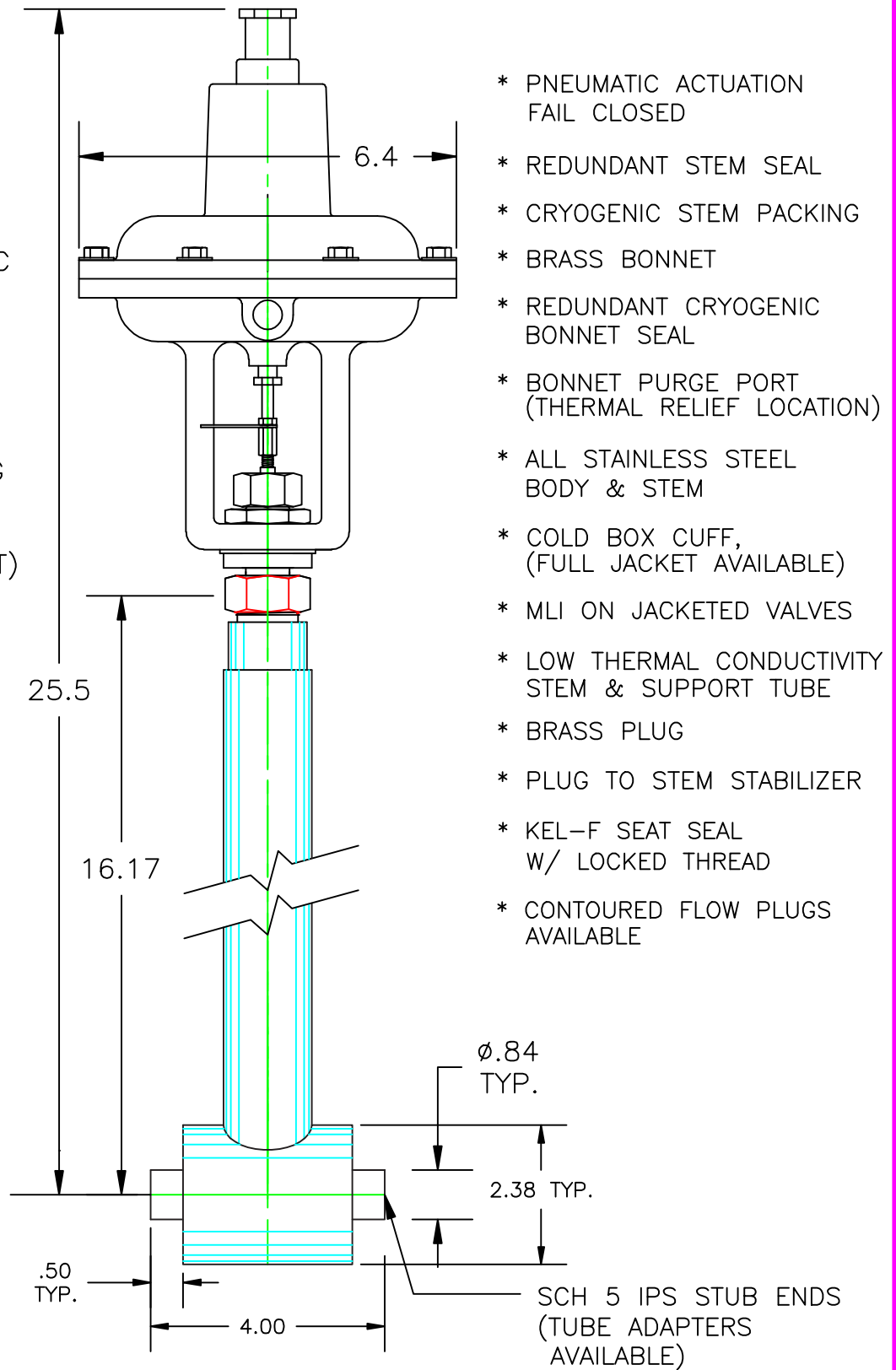


TECHNICAL DATA:

1. 150 PSIG MAWP
225 PSIG PROOF
2. SEAT SEAL BUBBLE
TIGHT @ 150 PSIG.
3. PACKING MASS SPEC
TESTED @ 1×10^{-5}
TORR. LEAK RATE
BELOW 1×10^{-8}
CC GHe/SEC.
4. SEAT SEAL HELIUM
BUBBLE TIGHT
TESTED @ 150 PSIG
@ AMBIENT TEMP.
5. HEAT LEAK :
3.5 BTU/HR.(1 WATT)
6. COOLDOWN MASS:
0.75 POUNDS.



1/2" LHe GLOBE VALVE WITH PNEUMATIC ACTUATOR