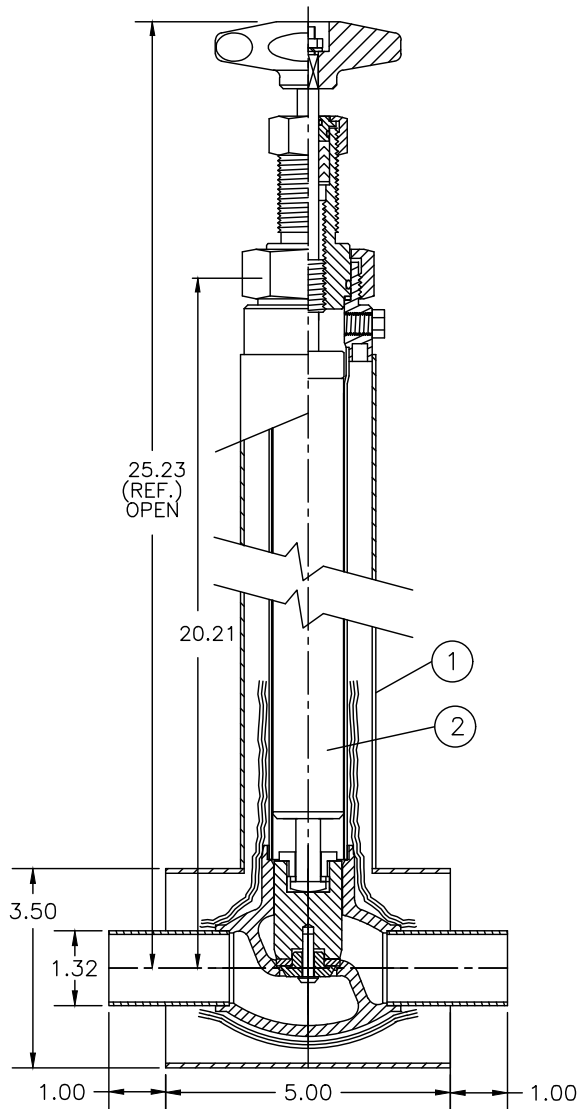


C3000 LIQUID HELIUM VALVE SERIES

Model C3081-M21

• 1" IPS Cryogenic Liquid Helium Globe Valve with Full Jacket



FEATURES

- Low Handle Torque for Bubble Tight Shutoff
- Stainless Steel Stem & Threads
- Redundant Stem Seal
- Cryogenic Stem Packing
- Brass Bonnet
- Redundant Cryogenic Bonnet Seal
- Bonnet Purge Port (Thermal Relief Location)
- All Stainless Steel Body & Stem
- Tight Fit Stem
- Brass Plug
- Plug to Stem Stabilizer
- KEL-F Seat Seal
w/ Locked Thread Insert

TECHNICAL DATA

- 300 PSIG MAWP
450 PSIG Proof
- Seat Seal Bubble Tight @ 150 PSIG
- Packing Mass Spec Tested @ 1×10^{-5} Torr Vacuum. Leak Rate Below 1×10^{-9} CC GHe/SEC
- Heat Leak : 6.25 BTU/HR to 20° K
- Options: Purge Port, Full Jacket, Pneumatic Actuators
- Cooldown Mass 3.80 Pounds

APPLICATIONS

- Vacuum Jacketed Piping
- Cold Boxes
- Helium Transfer Lines
- Helium Liquefiers