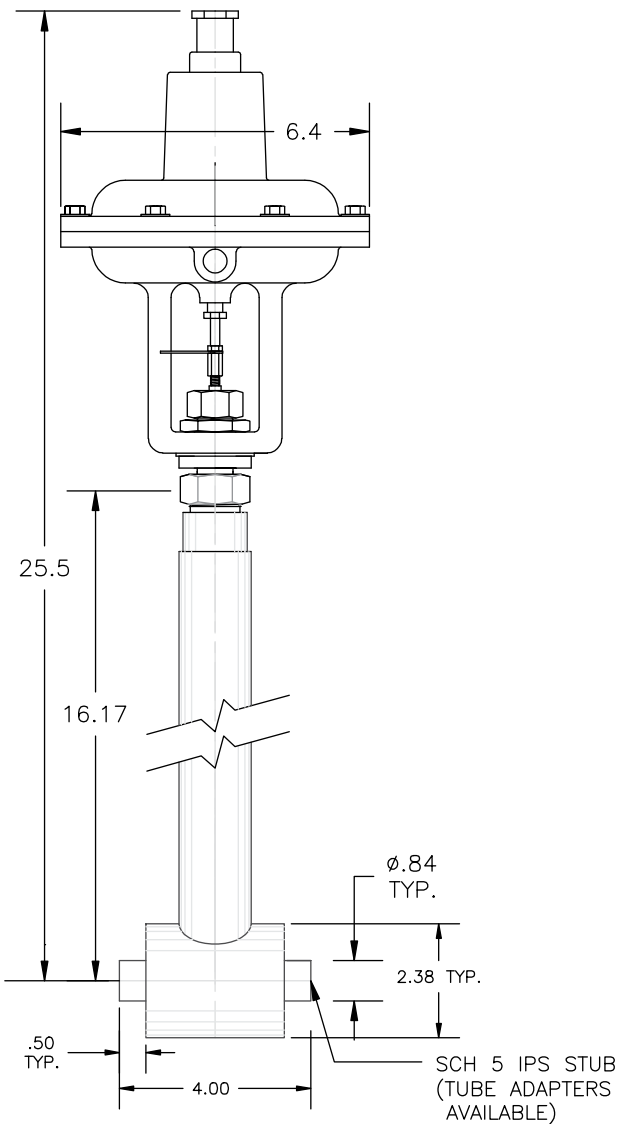


C3000 LIQUID HELIUM VALVE SERIES

Model C3041-A21

• 1/2" LHe Globe Valve with Pneumatic Actuator



FEATURES

- Pneumatic Actuation Fail Closed
- Redundant Stem Seal
- Cryogenic Stem Packing
- Brass Bonnet
- Redundant Cryogenic Bonnet Seal
- Bonnet Purge Port (Thermal Relief Location)
- All Stainless Steel Body & Stem
- Cold Box Cuff (Full Jacket Available)
- MLI On Jacketed Valves
- Low Thermal Conductivity Stem & Support Tube
- Brass Plug
- Plug To Stem Stabilizer
- Kel-F Seat Seal w/Locked Thread
- Contoured Flow Plugs Available

TECHNICAL DATA

- 150 PSIG MAWP
- 225 PSIG Proof
- Seat Seal Bubble Tight @150 PSIG
- Packing Mass Spec Tested @ 1×10^{-5}
- Leak Rate Below 1×10^{-8} CC GHe/SEC.
- Heat Leak: 3.5 BTU/HR.(1 Watt)
- Cooldown Mass: 0.75 Pounds.

APPLICATIONS

- Vacuum Jacketed Piping
- Cold Boxes
- Helium Transfer Lines
- Helium Liquefiers