

V2000 VACUUM VALVE SERIES

Model V2165-20

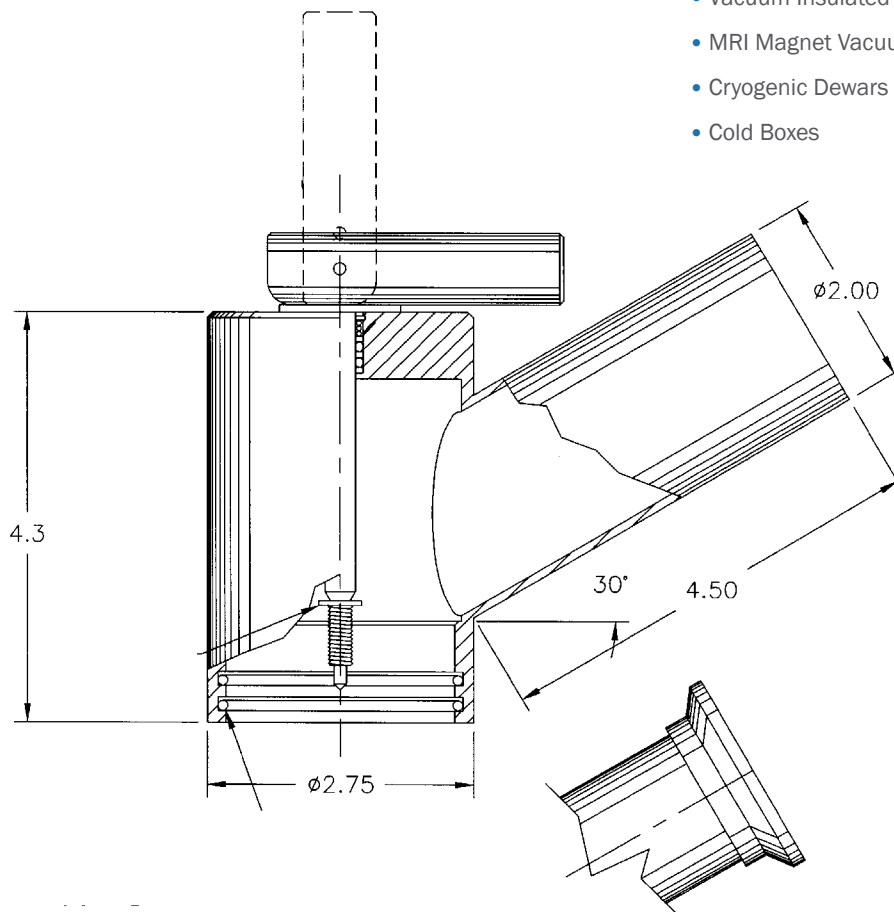
• Vacuum Valve Operator, 2" Size

FEATURES

- Easy Grip Aluminum Handle W/Open Position Lock Feature
- Mass Spec Leak Tested All Stainless Body
- Spring Loaded Dual O-Ring Shaft Seal
- Stem Pull-Out Stop
- ISO Flange Outlet Option
- Dual Seal Valve Connection
- TC Vacuum Tube Port Available

APPLICATIONS

- Piping and Flexlines
- Vacuum Insulated Piping Systems
- MRI Magnet Vacuum Containers
- Cryogenic Dewars
- Cold Boxes



CRYOGENIC VALVES and VACUUM COMPONENTS

sales@cryocomp.com ▼ 276.728.2064 ▼ www.cryocomp.com

a division of Cryofab, Inc.

