

V2000 VACUUM VALVE SERIES

Model V2165-10

- Spring Loaded Vacuum Seal-off Valve, 2" Size

FEATURES

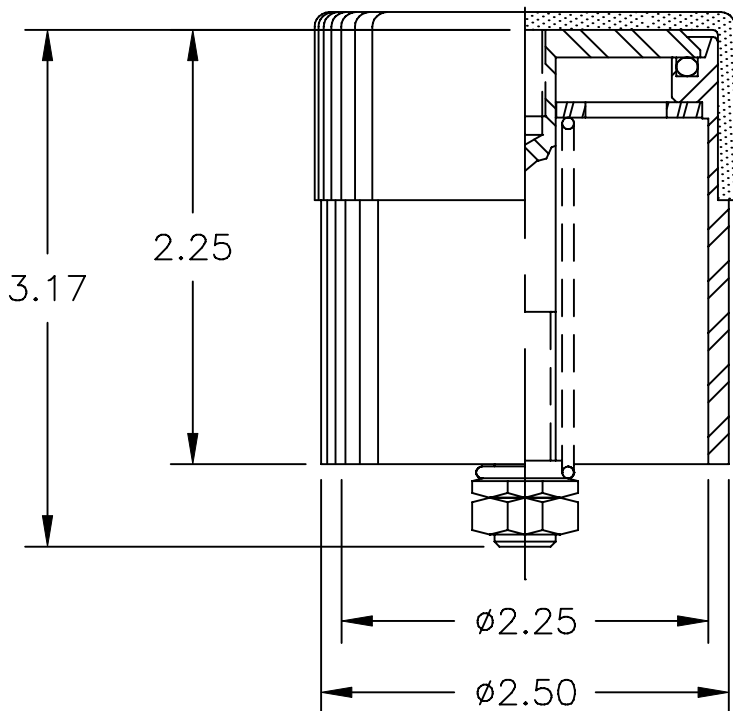
- Dust Cap
- Poppet 304 SST
- O-Ring Seals Viton
- Spring Retainer 300 Series SST
- Valve Body 304 SST
- Spring 300 Series SST
- Spring Washer 18 - 8 SST
- Use Valve Operator Model V1245-20

TECHNICAL DATA

- Vacuum Leak Tested @ 1×10^{-5} Torr. Tight to 1×10^{-9} SCC GHe/SEC or less.
- Relief Pressure 2 - 6 PSIG
- TC Vacuum tube port available P/N V2165-11.

APPLICATIONS

- Piping and Flexlines
- Vacuum Insulated Piping Systems
- MRI Magnet Vacuum Containers
- Cryogenic Dewars
- Cold Boxes



CRYOGENIC VALVES and VACUUM COMPONENTS

sales@cryocomp.com ▼ 908.686.3643 ▼ www.cryocomp.com

a division of Cryofab, Inc.

