

V1000 VACUUM VALVE SERIES

Model V1245-1

• 3" Vacuum Seal-off Valve

FEATURES

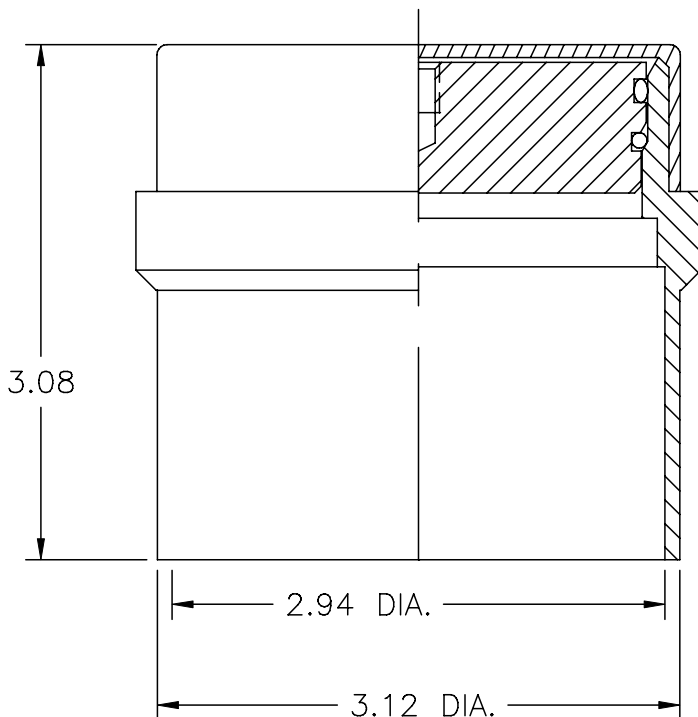
- Compact, Vacuum Tight
- Excellent Capacitance
- Positive Pressure Relief
- ¼-20 Thread
- Dust Cap Vinyl
- O-Ring Seals (2) Viton
- Plug 304 SST
- Body 304 SST
- Use Valve Operator Model V1245-20
- Available with Integral TC port

OPERATING SPECIFICATIONS

- SERVICE: High Vacuum.
- PRESSURE: 1×10^{-8} TORR Vacuum up to 15 PSIG Positive.
- TEMPERATURE: +150°F TO -60°F.
- Vacuum Leak Tested @ 1×10^{-5} Torr. Tight to 1×10^{-9} SCC GHe/SEC or less.

APPLICATIONS

- Piping and Flexlines
- Vacuum Insulated Piping Systems



CRYOGENIC VALVES and VACUUM COMPONENTS

sales@cryocomp.com ▼ 276.728.2064 ▼ www.cryocomp.com

a division of Cryofab, Inc.

