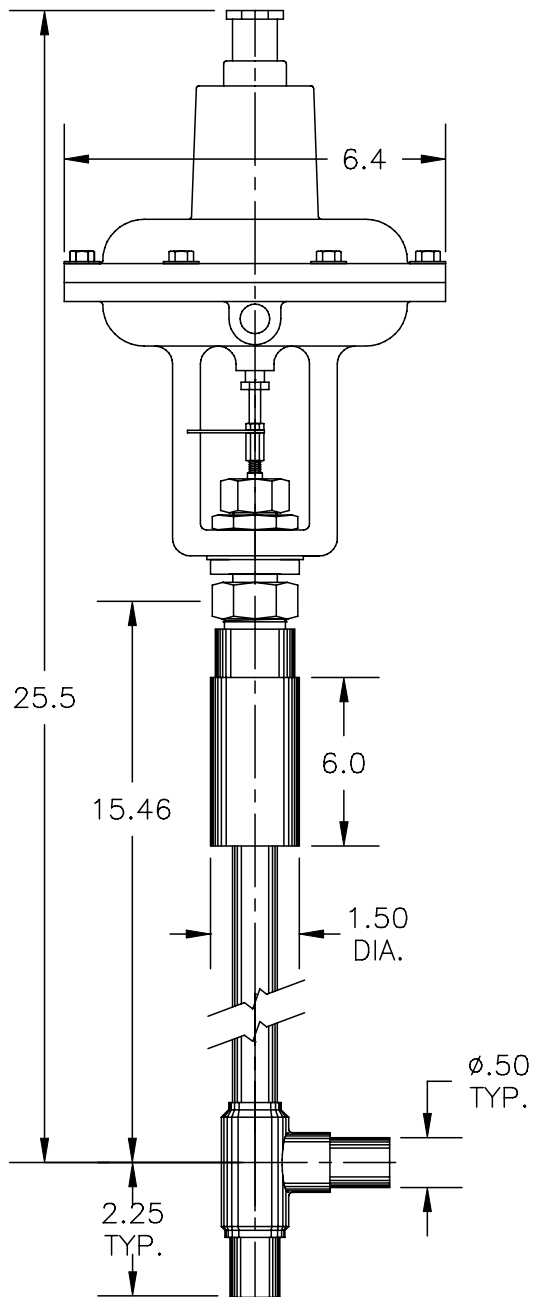


## C3000 LIQUID HELIUM VALVE SERIES

# Model C3042-A23A

## • 1/2" Liquid Helium Valve w/ Pneumatic Actuator



## FEATURES

- Pneumatic Actuator Fail Closed
- Redundant Stem Seal
- Cryogenic Stem Packing
- Brass Bonnet
- Redundant Cryogenic Bonnet Seal
- Bonnet Purge Port (Thermal Relief Location)
- All Stainless Steel Body & Stem
- Cold Box Cuff
- MLI on Jacketed Valves
- Low Thermal Conductivity Stem & Support Tube
- Brass Plug
- Plug to Stem Stabilizer
- Equal% Flow Plug

## TECHNICAL DATA

- 150 PSIG MAWP  
225 PSIG Proof
- Seat Seal Bubble Tight @ 150 PSIG
- Packing Mass Spec Tested @  $1 \times 10^{-5}$  Torr
- Leak Rate Below  $1 \times 10^{-8}$  CC GHe/SEC.
- Heat Leak: 3.5 BTU/HR
- Cooldown Mass: 0.75 Pounds

## APPLICATIONS

- Vacuum Jacketed Piping
- Cold Boxes
- Helium Transfer Lines
- Helium Liquefiers