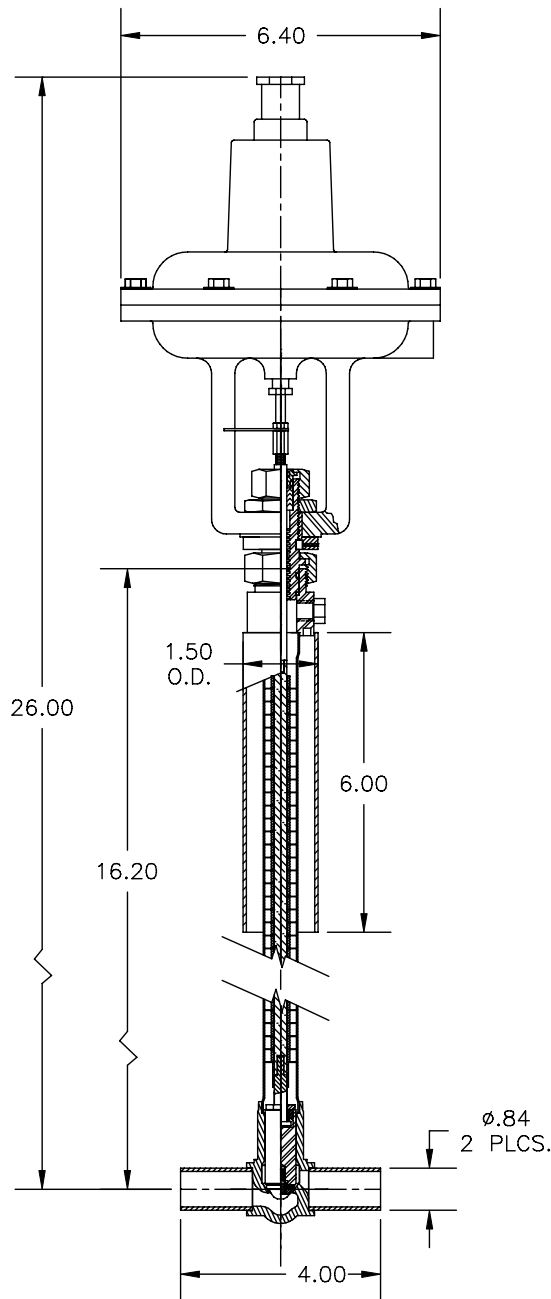


C3000 LIQUID HELIUM VALVE SERIES

Model C3041-A23-1281

• 1/2" Ultra Low Heat Leak Valve w/ Pneumatic Actuator



FEATURES

- Pneumatic Actuator Air to Open
- Redundant Stem Seal
- Cryogenic Stem Packing
- Brass Bonnet
- Redundant Cryogenic Bonnet Seal
- Bonnet Purge Port
- All Stainless Steel Body & Stem Ends
- Tight Fit Stem
- Brass Plug
- Plug to Stem Stabilizer
- KEL-F Seat Seal w/ Locked Thread Insert

TECHNICAL DATA

- 100 PSI Working Pressure
300 PSI Rating Pressure
- Seat Seal Bubble Tight @ 100 PSIG
- Packing Mass Spec Tested @ 1×10^{-5} Torr Vacuum
Leak Rate Below 1×10^{-9} CC GHe/SEC
- Heat Leak: .75 Watts
- Cooldown Mass: 0.85 Pounds

APPLICATIONS

- Vacuum Jacketed Piping
- Cold Boxes
- Helium Transfer Lines
- Helium Liquefiers



CRYOGENIC VALVES and VACUUM COMPONENTS

sales@cryocomp.com ▼ 276.728.2064 ▼ www.cryocomp.com

a division of Cryofab, Inc.

