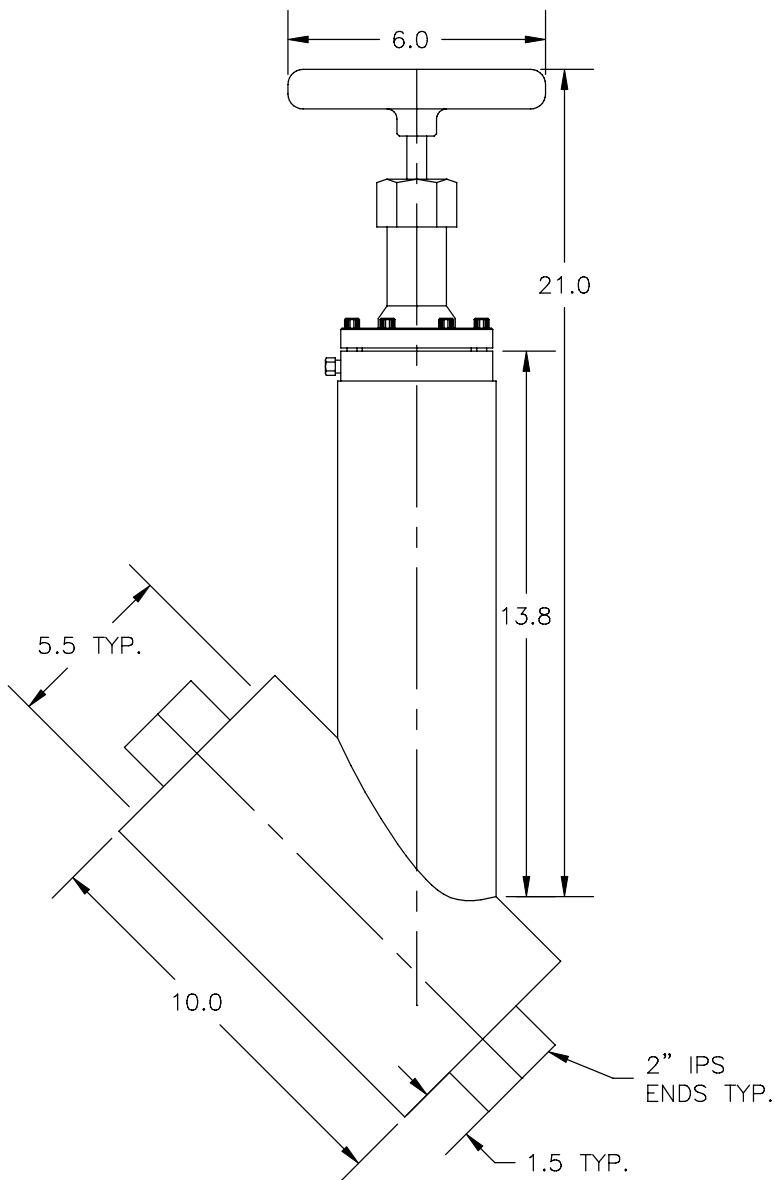


C2000 CRYOGENIC VALVE SERIES

Model C2163-M21

• 2.0" Vacuum Jacketed Y-Pattern Valve, Manual Operation



FEATURES

- Low Handle Torque for Bubble Tight Shutoff
- Stainless Steel Stem & Threads
- Redundant Stem Seals
- Cryogenic Stem Packing
- Brass Bonnet
- Redundant Cryogenic Bonnet Seals
- Bonnet Purge Port (Thermal Relief Location)
- All Stainless Steel Body
- Close Tolerance Stem
- MLI on Jacketed Valves
- Brass Plug
- Plug to Stem Stabilizer
- KEL-F Seat Seal
- Contoured Flow Plugs Available

TECHNICAL DATA

- 300 PSI MAWP (Maximum Operating Pressure)
- Seat Seal Bubble Tight @ 150 PSIG
- Packing Mass Spec Tested @ 1×10^{-5} Torr
- Leak Rate Below 1×10^{-9} CC GHe/SEC
- Heat Leak: 27.3 BTU/HR to 20° K
- Cooldown Mass: 10.5 Pounds

APPLICATIONS

- Vacuum Jacketed Piping
- Cold Boxes
- Manifold and Tank Systems
- Liquid Nitrogen, Argon and Oxygen Service (with Proper Cleaning)



CRYOGENIC VALVES and VACUUM COMPONENTS

sales@cryocomp.com ▼ 276.728.2064 ▼ www.cryocomp.com

a division of Cryofab, Inc.

