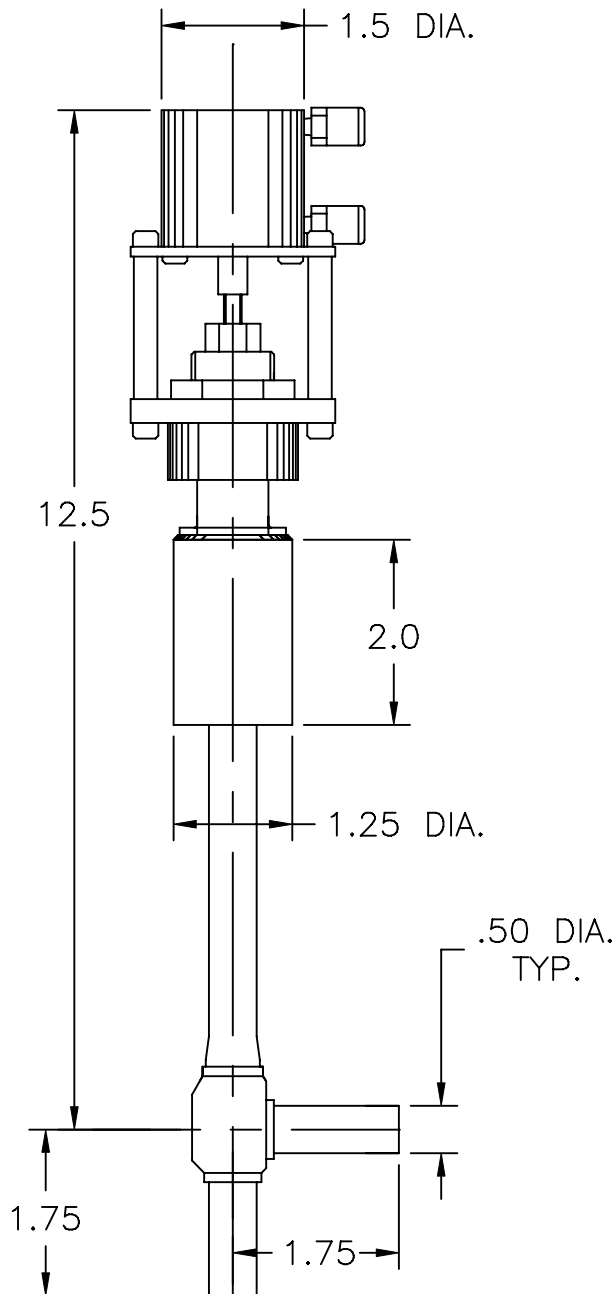


## C5000 CRYOGENIC VALVE SERIES

# Model C5042-P13A

### • 1/2" ODT Cryogenic Angle Valve With Piston Actuator



### FEATURES

- Double Acting Cylinder Actuator Use 60–80 PSIG w/Flow Over Seat
- Upper Seal Assembly Vacuum Tight
- Spring Loaded Dual O-Ring Shaft Seal
- All Stainless Steel Body and Jacket
- Low Heat Transfer Stem Assembly
- KEL-F Seat Seal
- Flow Plug
- Tube Size Ends

### TECHNICAL DATA

- Max. Operating Pressure 150 PSIG
- 225 PSIG Proof
- Seat Seal & Packing Leak Test Bubble Tight @ 150 PSIG @ Ambient Temperature
- Stem  $\phi$  in Vertical Position Only
- Heat Leak: 2.4 BTU/HR to 77° k
- Heat Leak: 3.1 BTU/HR to 4° k
- Cooldown Mass = 3.1 OZ

### APPLICATIONS

- Vacuum Jacketed Piping
- Cold Boxes
- Helium Transfer Lines
- Cryogenic Piping Systems



**CRYOGENIC VALVES and VACUUM COMPONENTS**

sales@cryocomp.com ▼ 276.728.2064 ▼ www.cryocomp.com

a division of Cryofab, Inc.

