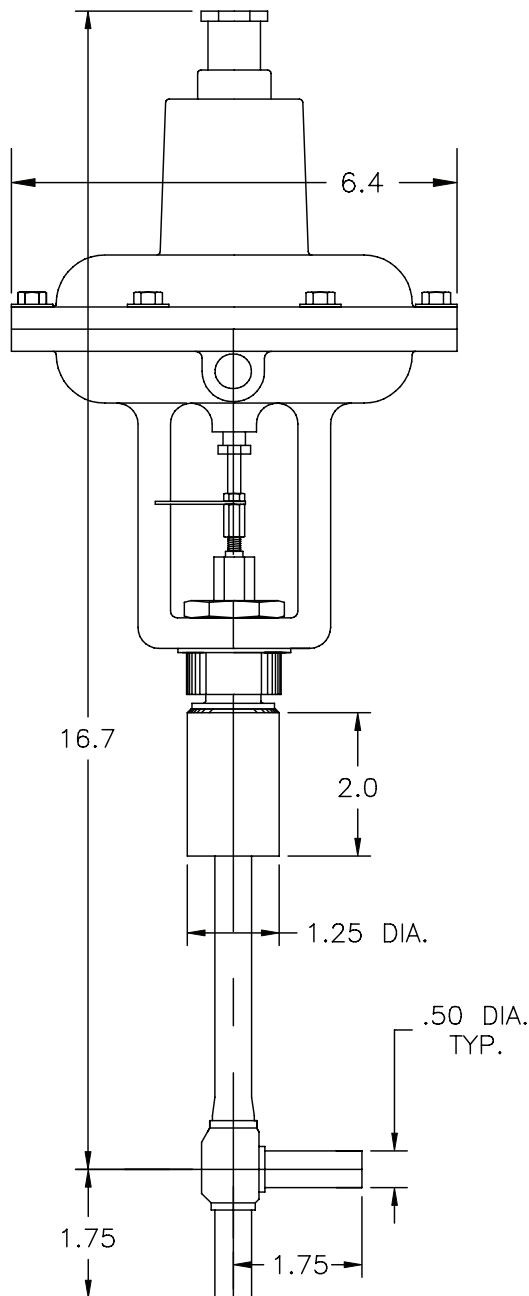


C5000 CRYOGENIC VALVE SERIES

Model C5042-A13

• 1/2" ODT Cryogenic Angle Valve With Pneumatic Actuator



FEATURES

- Pneumatic Actuator Air to Open (NC)
- Upper Seal Assembly Vacuum Tight
- Spring Loaded Dual O-Ring Shaft Seal
- All Stainless Steel Body And Jacket
- Low Heat Transfer Stem Assembly
- KEL-F Seat Seal
- Tube Size Ends

TECHNICAL DATA

- Max. Operating Pressure 150 PSIG
- 225 PSIG Proof
- Seat Seal & Packing Leak Test Bubble Tight @ 150 PSIG @ Ambient Temperature
- Adapters Available for Smaller Sizes
- Stem ϕ in Vertical Position Only
- Heat Leak: 2.4 BTU/HR to 77° k
- Heat Leak: 3.1 BTU/HR to 4° k
- Cooldown Mass = 3.1 OZ

APPLICATIONS

- Vacuum Jacketed Piping
- Cold Boxes
- Helium Transfer Lines
- Cryogenic Piping Systems



CRYOGENIC VALVES and VACUUM COMPONENTS

sales@cryocomp.com ▼ 908.686.3643 ▼ www.cryocomp.com

a division of Cryofab, Inc.

