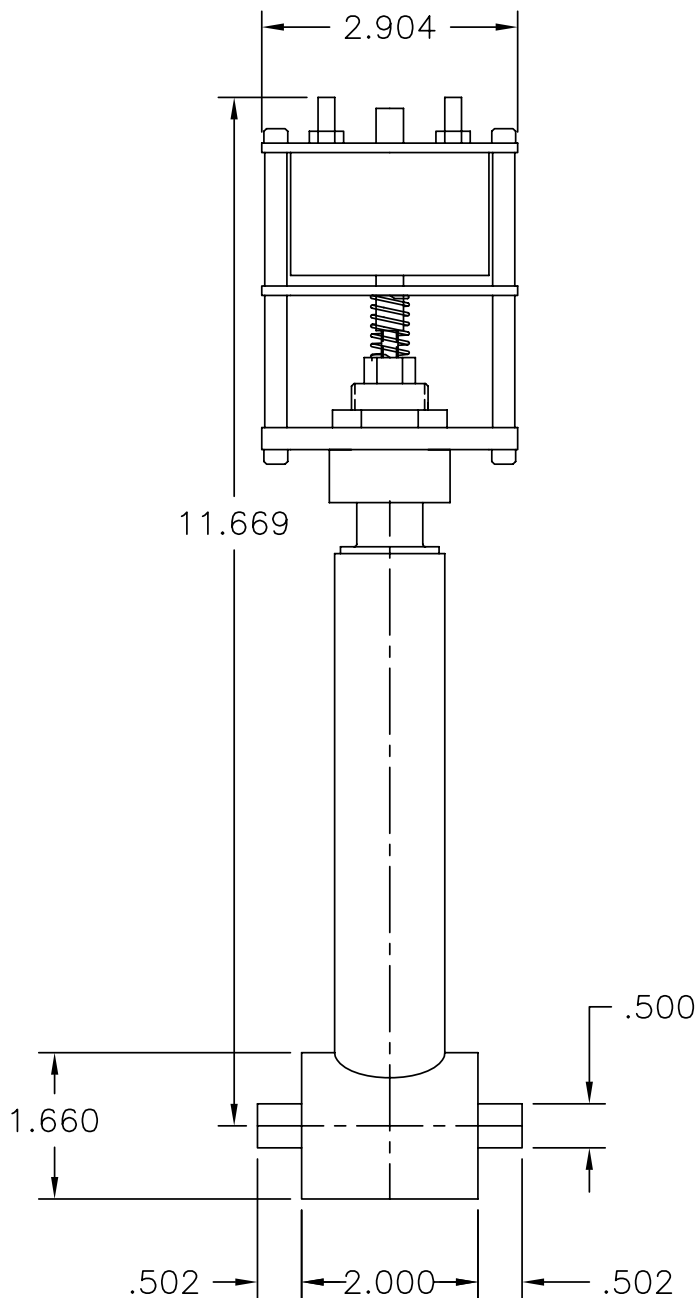


C5000 CRYOGENIC VALVE SERIES

Model C5041-S11

• Solenoid Actuated Cryogenic Valve, VJ, Globe Body



FEATURES

- Upper Seal Assembly Vacuum Tight
- Spring Loaded Dual O-Ring Shaft Seal
- All Stainless Steel Body and Jacket
- Low Heat Transfer Stem Assembly
- KEL-F Seat Seal
- MLI Insulation on Jacketed Valves
- Tube Size Ends

TECHNICAL DATA

- Max. Operating Pressure 150 PSIG
- Proof Pressure 225 PSIG
- Seat Seal & Packing Leak Test Bubble Tight @ 150 PSIG @ Ambient Temperature
- Adapters Available for Smaller Sizes
- Stem ϕ In Vertical Position Only
- Heat Leak: 2.4 BTU/HR to 77° k
- Heat Leak: 3.1 BTU/HR to 4° k
- Cooldown Mass = 3.1 OZ
- Solenoid Energized at 24 VDC
- 26 AWG Coil with 858 Turns 14.44 OHM Resistance

APPLICATIONS

- Vacuum Jacketed Piping
- Cold Boxes
- Helium Transfer Lines
- Cryogenic Piping Systems



CRYOGENIC VALVES and VACUUM COMPONENTS

sales@cryocomp.com ▼ 276.728.2064 ▼ www.cryocomp.com

a division of Cryofab, Inc.

