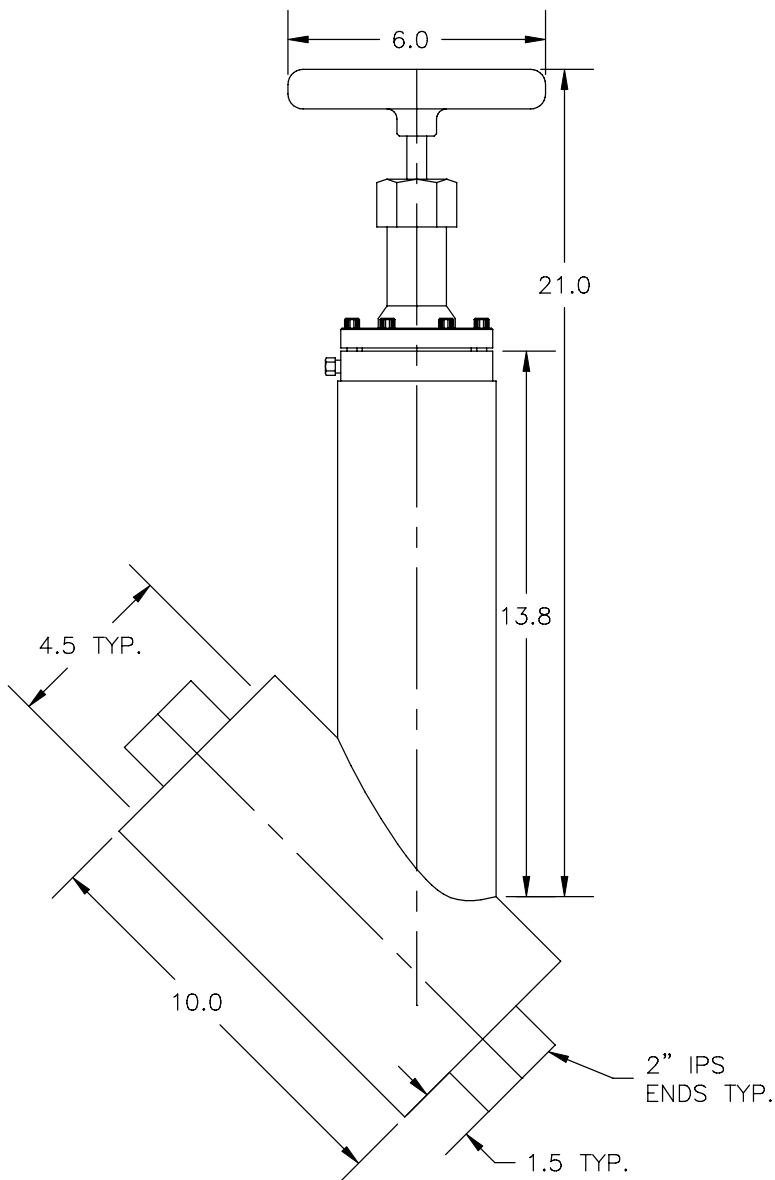


## C2000 CRYOGENIC VALVE SERIES

# Model C2163-M21

### • 2" IPS Cryogenic Y-Pattern Valve



### FEATURES

- Low Handle Torque for Bubble Tight Shutoff
- Stainless Steel Stem & Threads
- Redundant Stem Seals
- Cryogenic Stem Packing
- Brass Bonnet
- Redundant Cryogenic Bonnet Seals
- Bonnet Purge Port (Thermal Relief Location)
- All Stainless Steel Body
- Close Tolerance Stem
- MLI on Jacketed Valves
- Brass Plug
- Plug to Stem Stabilizer
- KEL-F Seat Seal
- Contoured Flow Plugs Available

### TECHNICAL DATA

- 300 PSIG MAWP  
450 PSIG Proof
- Seat Seal Bubble Tight @ 150 PSIG
- Packing Mass Spec Tested @  $1 \times 10^{-5}$  Torr Vacuum  
Leak Rate Below  $1 \times 10^{-9}$  CC GHe/SEC
- Heat Leak: 27.3 BTU/HR to 20° K
- Cooldown Mass: 10.5 Pounds

### APPLICATIONS

- Vacuum Jacketed Piping
- Cold Boxes
- Manifold and Tank Systems
- Liquid Nitrogen, Argon and Oxygen Service (with Proper Cleaning)



**CRYOGENIC VALVES and VACUUM COMPONENTS**

sales@cryocomp.com ▼ 276.728.2064 ▼ www.cryocomp.com

a division of Cryofab, Inc.

