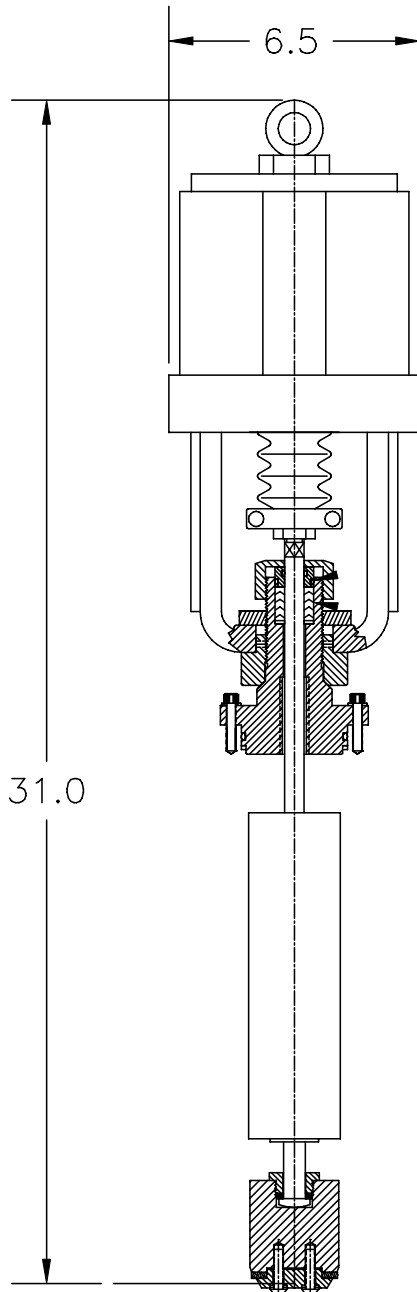


Model C2161-A-TW

- 2" IPS Replacement Internal Valve Assembly w/ Pneumatic Actuator



FEATURES

- Pneumatic Actuator Air to Open
- Stem Seal (Nitrile O-Rings)
- Cryogenic Stem Packing
- Brass Bonnet
- Cryogenic Bonnet Seal
- Brass Plug
- KEL-F Seat Seal

TECHNICAL DATA

- See C2161 Actuated Valve Model Product Sheet for Technical Data

APPLICATIONS

- Vacuum Jacketed Piping
- Cold Boxes
- Manifold and Tank Systems
- Liquid Nitrogen, Argon and Oxygen Service (with Proper Cleaning)