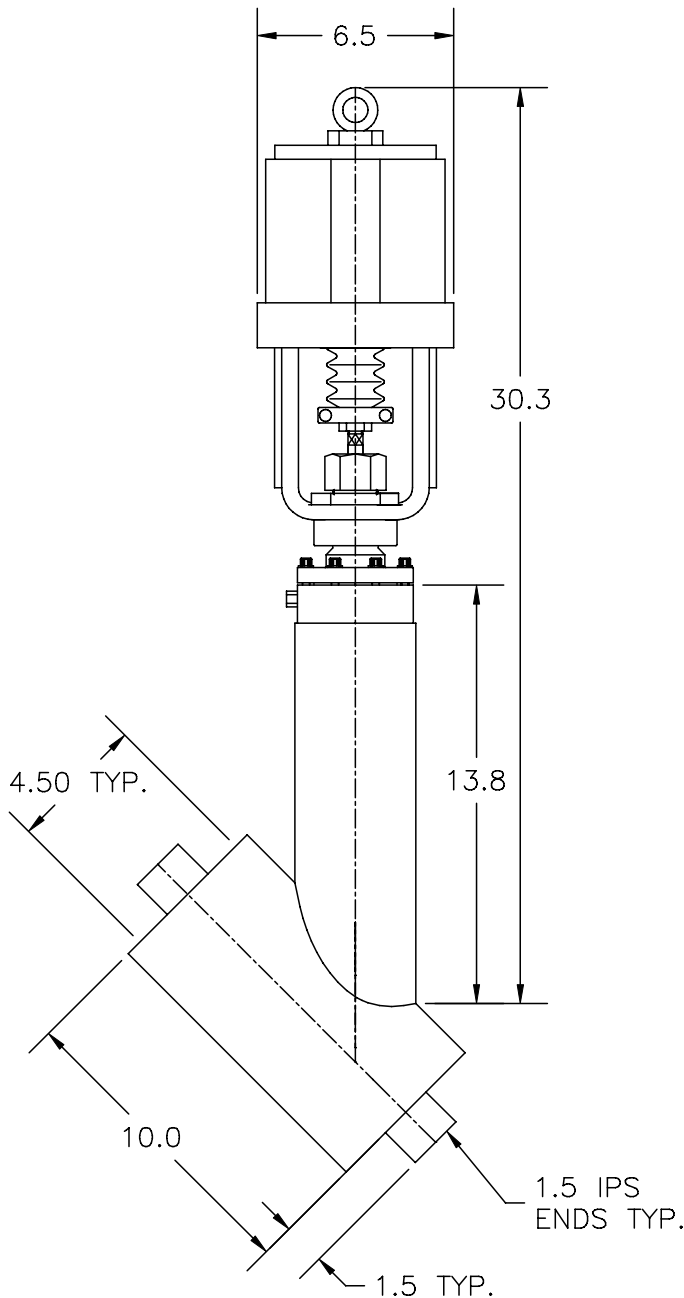


Model C2123-A21

• **1.5" IPS Cryogenic Valve w/
Pneumatic Cylinder Actuator**



FEATURES

- Pneumatic Actuator Air to Open
- Stainless Steel Stem & Threads
- Redundant Stem Seal
- Cryogenic Stem Packing
- Brass Bonnet
- Redundant Cryogenic Bonnet Seal
- Bonnet Purge Port (Thermal Relief Location)
- All Stainless Steel Body & Stem
- Tight Fit Stem
- MLI on Jacketed Valves
- Brass Plug
- Plug to Stem Stabilizer
- KEL-F Seat Seal w/ Locked Thread

TECHNICAL DATA

- 150 PSIG Working Pressure
- 300 PSI Rating
- Seat Seal Bubble Tight @ 150 PSIG
- Packing Mass Spec Tested @ 1×10^{-5} Torr Vacuum Leak Rate Below 1×10^{-9} CC GHe/SEC
- Heat Leak: 21.8 BTU/HR to 20° K
- Cooldown Mass: 10.5 Pounds

APPLICATIONS

- Vacuum Jacketed Piping
- Cold Boxes
- Manifold and Tank Systems
- Liquid Nitrogen, Argon and Oxygen Service (with Proper Cleaning)