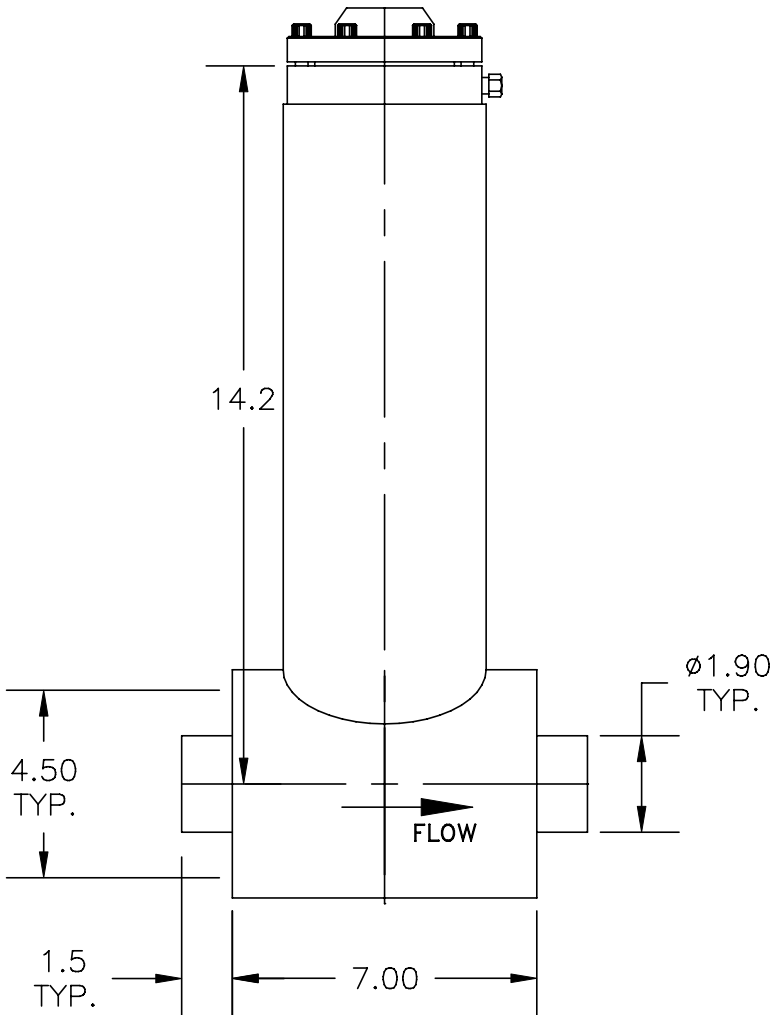


C2000 CRYOGENIC VALVE SERIES

Model C2121-K21

• 1.5" IPS Cryogenic Check Valve



FEATURES

- Brass Bonnet
- Redundant Cryogenic Bonnet Seals
- Bonnet Purge Ports (Thermal Relief Location)
- All Stainless Steel Body
- Close Tolerance Stem
- MLI on Jacketed Valves
- Brass Plug with Stabilizer
- KEL-F Seat Seal
- 3 PSI Crack Pressure

TECHNICAL DATA

- 300 PSIG MAWP
450 PSIG Proof
- External Seals Mass Spec Tested @ 1×10^{-5} Torr Vacuum
Leak Rate Below 1×10^{-9} CC GHe/SEC
- Heat Leak: 27.3 BTU/HR to 20° K
- Cooldown Mass: 10.5 Pounds
- Must Be Used with Bonnet Axis Vertical

APPLICATIONS

- Vacuum Jacketed Piping
- Cold Boxes
- Manifold and Tank Systems
- Liquid Nitrogen, Argon and Oxygen Service (with Proper Cleaning)



CRYOGENIC VALVES and VACUUM COMPONENTS

sales@cryocomp.com ▼ 276.728.2064 ▼ www.cryocomp.com

a division of Cryofab, Inc.

