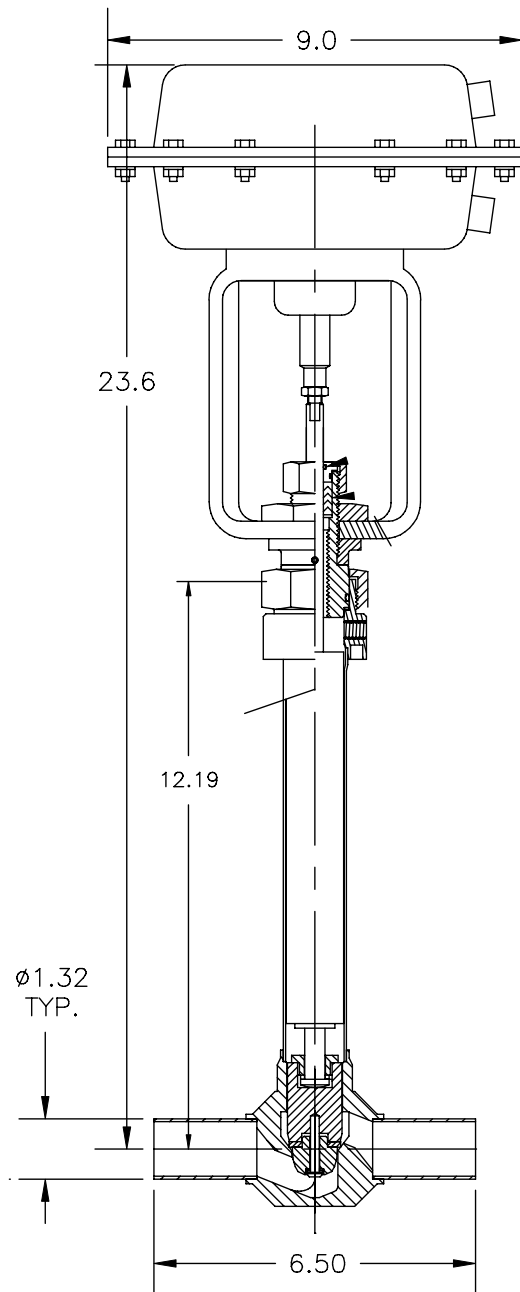


C2000 CRYOGENIC VALVE SERIES

Model C2081T-A22A

• 1" Cryogenic Valve w/Pneumatic Actuator



FEATURES

- Pneumatic Actuator Air to Open
- Stem Seal (Nitrile O-Ring with Parker Lube)
- Cryogenic Stem Packing
- Brass Bonnet
- Cryogenic Bonnet Seal
- Bonnet Purge Port (Thermal Relief Location)
- All Stainless Steel Body & Stem
- Tight Fit Stem Horizontal Operation OK
- Plug to Stem Stabilizer
- Brass Plug
- KEL-F Seat Seal w/ Locked Thread
- 1" MPT Ends Typ
- Flow Plug Equal %

TECHNICAL DATA

- 150 PSIG Working Pressure
300 PSIG Rating
- Seat Seal Bubble Tight @ 150 PSIG
- Packing Mass Spec Tested @ 1×10^{-5} Torr Vacuum
Leak Rate Below 1×10^{-9} CC GHe/SEC
- Heat Leak: 10.4 BTU/HR to 20° K
- Cooldown Mass: 3.80 Pounds

APPLICATIONS

- Vacuum Jacketed Piping
- Cold Boxes
- Manifold and Tank Systems
- Liquid Nitrogen, Argon and
Oxygen Service (with Proper Cleaning)