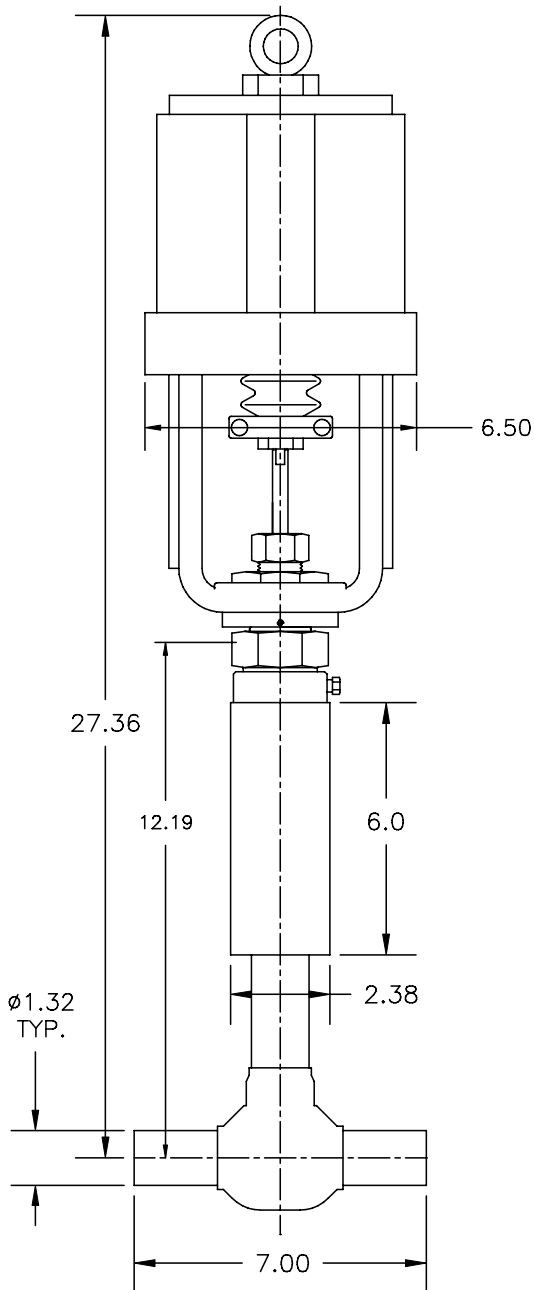


C2000 CRYOGENIC VALVE SERIES

Model C2081-B23A-1253

• 1" Cryogenic Valve w/Pneumatic Cylinder Actuator



FEATURES

- Pneumatic Actuator Fail Open
- Stainless Steel Stem & Threads
- Redundant Stem Seal
- Cryogenic Stem Packing
- Brass Bonnet
- Redundant Cryogenic Bonnet Seal
- Bonnet Purge Port (Thermal Relief Location)
- All Stainless Steel Body & Stem
- Tight Fit Stem
- Brass Plug
- Plug to Stem Stabilizer
- KEL-F Seat Seal w/ Locked Thread
- Equal % Flow Plug
- SCH 5 IPS Stub Ends

TECHNICAL DATA

- 500 PSIG MAWP
- Seat Seal Bubble Tight @ 500 PSIG
- Packing Mass Spec Tested @ 1×10^{-5} Torr Vacuum Leak Rate Below 1×10^{-9} CC GHe/SEC
- Heat Leak: 10.4 BTU/HR to 20° K
- Cooldown Mass: 3.80 Pounds

APPLICATIONS

- Vacuum Jacketed Piping
- Cold Boxes
- Manifold and Tank Systems
- Liquid Nitrogen, Argon and Oxygen Service (with Proper Cleaning)



CRYOGENIC VALVES and VACUUM COMPONENTS

sales@cryocomp.com ▼ 276.728.2064 ▼ www.cryocomp.com

a division of Cryofab, Inc.

