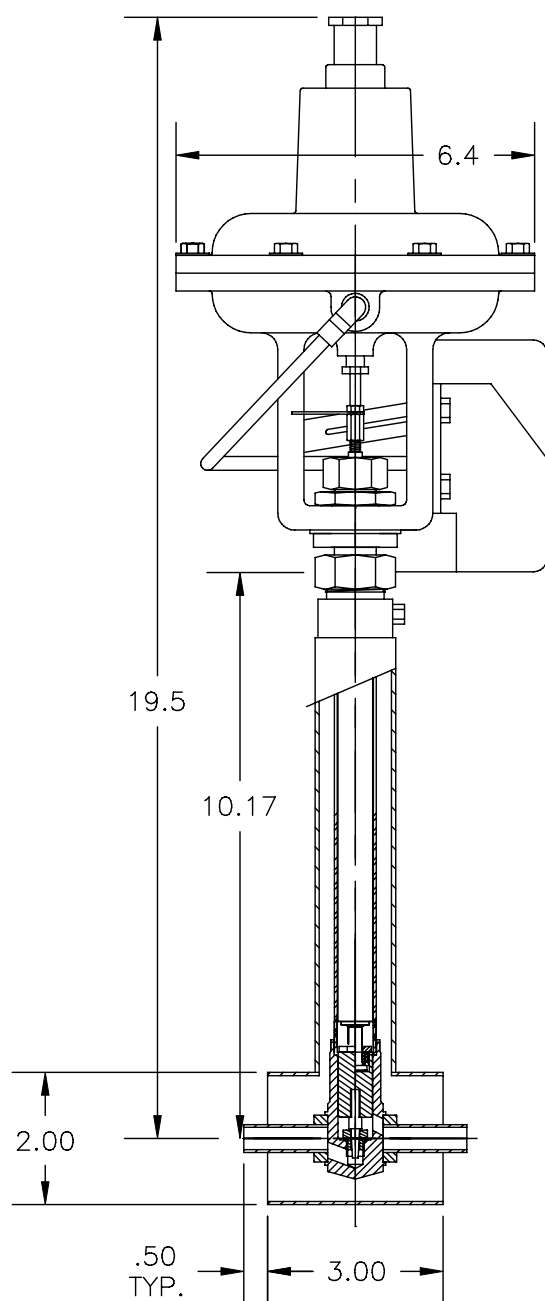


## C2000 CRYOGENIC VALVE SERIES

# Model C2041-C21

- 1/2" Cryogenic Valve w/  
Pneumatic Actuator & Positioner,  
Coldbox Cuff



## FEATURES

- Pneumatic Actuator Air to Open (NC)
- P-P Position Controller
- Stainless Steel Stem & Threads
- Redundant Stem Seal
- Cryogenic Stem Packing
- Brass Bonnet
- Redundant Cryogenic Bonnet Seal
- Bonnet Purge Port (Thermal Relief Location)
- All Stainless Steel Body & Stem
- Tight Fit Stem
- Brass Plug
- Plug to Stem Stabilizer
- Metering Equal % Trim  
"H" Trim Cv= 0.15 - 0.0035
- .50 x .035 Tube Ends

## TECHNICAL DATA

- 150 PSI Working Pressure  
300 PSI Rating Pressure
- Seat Seal Bubble Tight @ 150 PSIG
- Packing Mass Spec Tested @  $1 \times 10^{-5}$  Torr Vacuum  
Leak Rate Below  $1 \times 10^{-9}$  CC GHe/SEC
- Heat Leak: 4.5 BTU/HR to 20° K
- Cooldown Mass: 0.85 Pounds

## APPLICATIONS

- Vacuum Jacketed Piping
- Cold Boxes
- Manifold and Tank Systems
- Liquid Nitrogen, Argon and  
Oxygen Service (with Proper Cleaning)