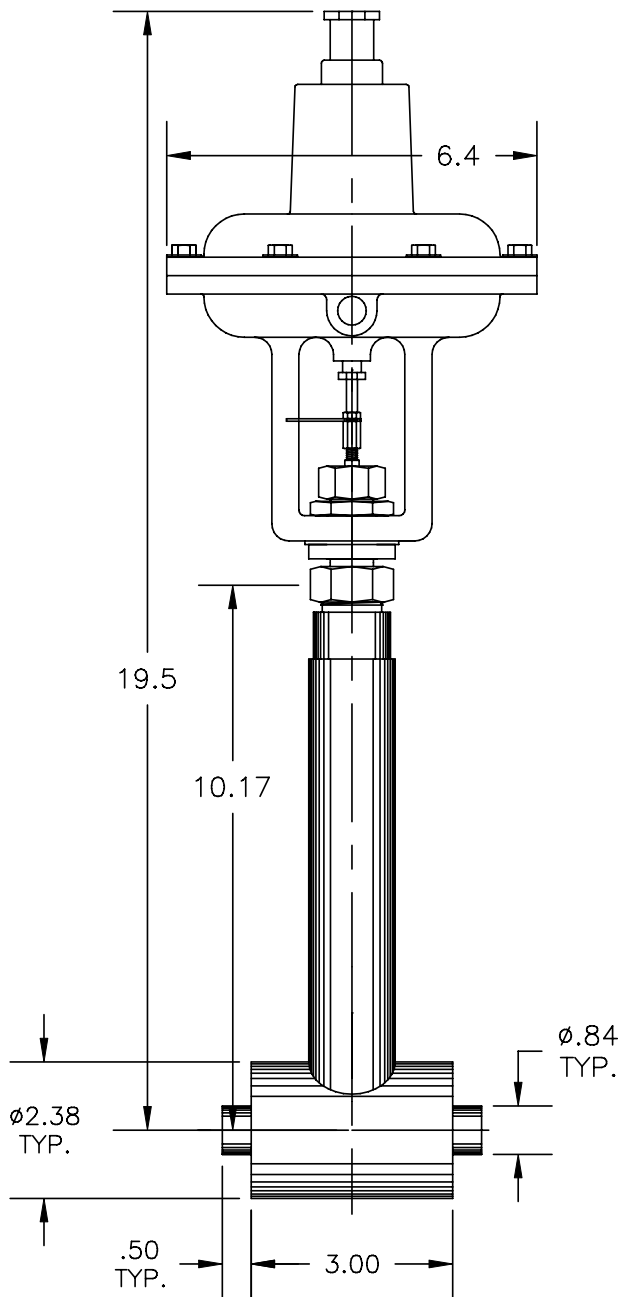


C2000 CRYOGENIC VALVE SERIES

Model C2041-C21-1194

• 1/2" IPS Cryogenic Valve w/ Pneumatic Actuator



FEATURES

- Pneumatic Actuator (ATO)
- Position Switches & Solenoid VLV NEMA 12
- Stainless Steel Stem & Threads
- Redundant Stem Seal
- Cryogenic Stem Packing
- Brass Bonnet
- Redundant Cryogenic Bonnet Seal
- Bonnet Purge Port (Thermal Relief Location)
- All Stainless Steel Body & Stem
- Tight Fit Stem
- MLI on Jacketed Valves
- Brass Plug
- Plug to Stem Stabilizer
- KEL-F Seat Seal w/ Locked Thread Insert

TECHNICAL DATA

- 150 PSI Working Pressure
300 PSI Rating Pressure
- Seat Seal Bubble Tight @ 150 PSIG
- Packing Mass Spec Tested @ 1×10^{-5} Torr Vacuum
Leak Rate Below 1×10^{-9} CC GHe/SEC
- Heat Leak: 4.5 BTU/HR to 20° K
- Cooldown Mass: 0.85 Pounds

APPLICATIONS

- Vacuum Jacketed Piping
- Cold Boxes
- Manifold and Tank Systems
- Liquid Nitrogen, Argon and
Oxygen Service (with Proper Cleaning)



CRYOGENIC VALVES and VACUUM COMPONENTS

sales@cryocomp.com ▼ 276.728.2064 ▼ www.cryocomp.com

a division of Cryofab, Inc.

