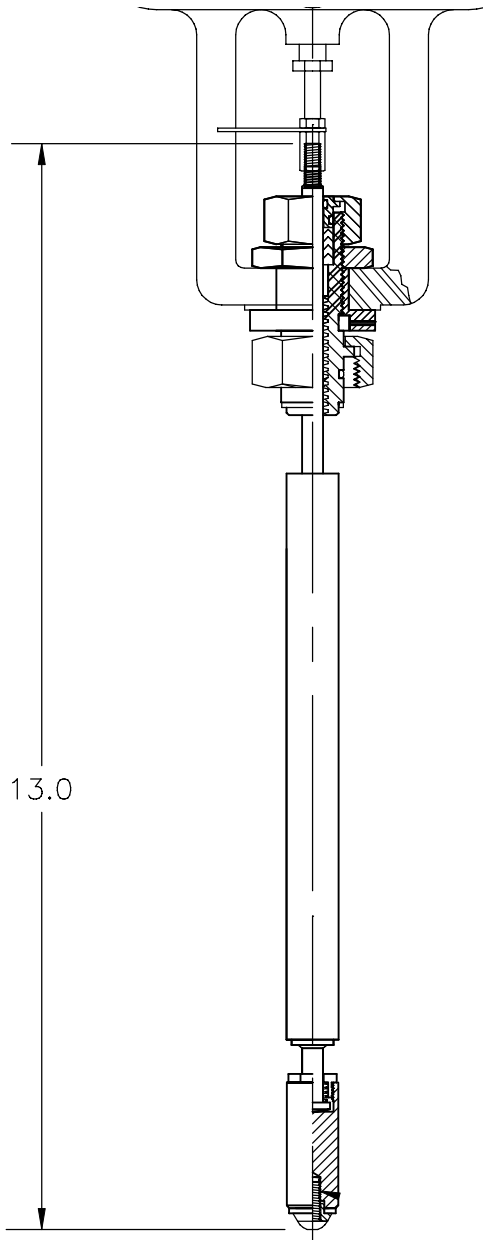


Model C2041-A-TW

- **1/2" Replacement Internal Valve Assembly, Actuator Included With This Assembly**



FEATURES

- Stem Seals (Nitrile O-Rings with Parker Lube)
- Packing Follower
- Packing Nut
- Lock Nut
- Cryogenic Stem Packing (Modified 1 Less Chevron)
- Actuator Adapter
- Set Screw (2)
- Bonnet Nut
- Redundant Bonnet Seal
- Cryogenic Bonnet Seal
- Valve Bonnet
- Tight Fit Stem Assembly
- Plug to Stem Stabilizer
- Brass Plug
- Locked Thread
- KEL-F Seat Seal
- Seal Retainer
- Seal Retaining Screw

TECHNICAL DATA

- See C2041 Actuated Valve Model Product Sheet for Technical Data

APPLICATIONS

- Vacuum Jacketed Piping
- Cold Boxes
- Manifold and Tank Systems
- Liquid Nitrogen, Argon and Oxygen Service (with Proper Cleaning)