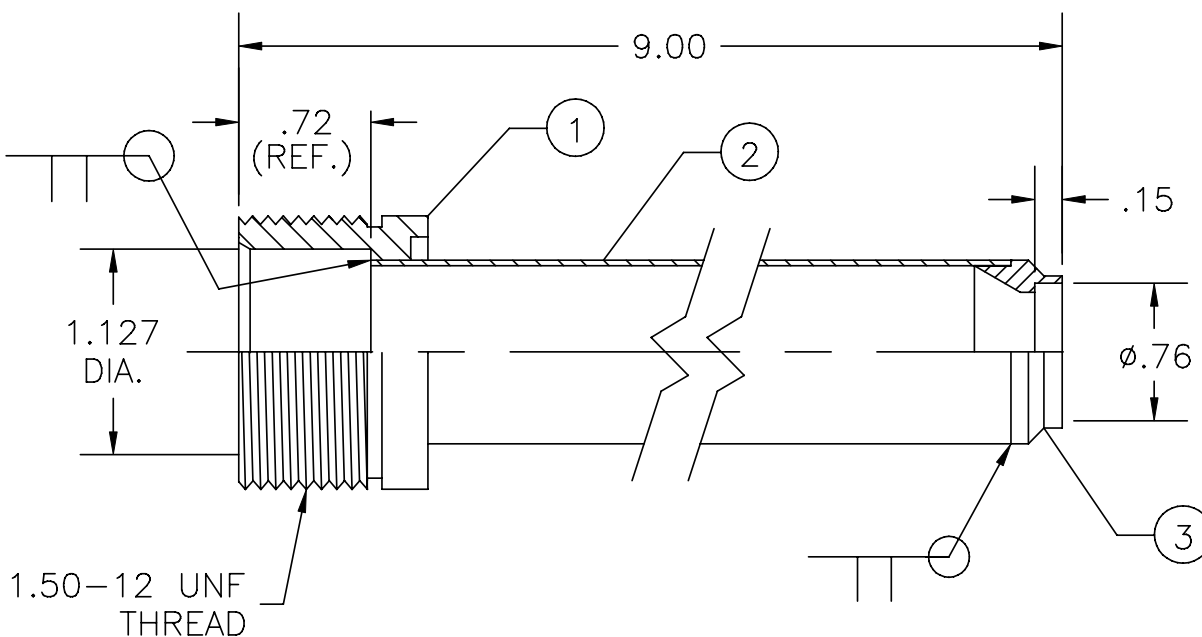


## CB700 CRYOGENIC BAYONETS SERIES

# Model CB706-5F9

## • Female Bayonet Assembly 3/4" Size



### NOTES

- Fusion tig weld with argon purge
- Leak check welds to  $1 \times 10^{-9}$  SCC/SEC gHe

Find NO.	QTY	Part number	Description	Material
3	1	103CB706-5W1	Nose Socket, Female	304 SST
2	1	104CB706-5WF	Tube, Female	304 SST
1	1	1CB706-5F1	Female Socket	304 SST



CRYOGENIC VALVES and VACUUM COMPONENTS

sales@cryocomp.com ▼ 908.686.3643 ▼ www.cryocomp.com

a division of Cryofab, Inc.

