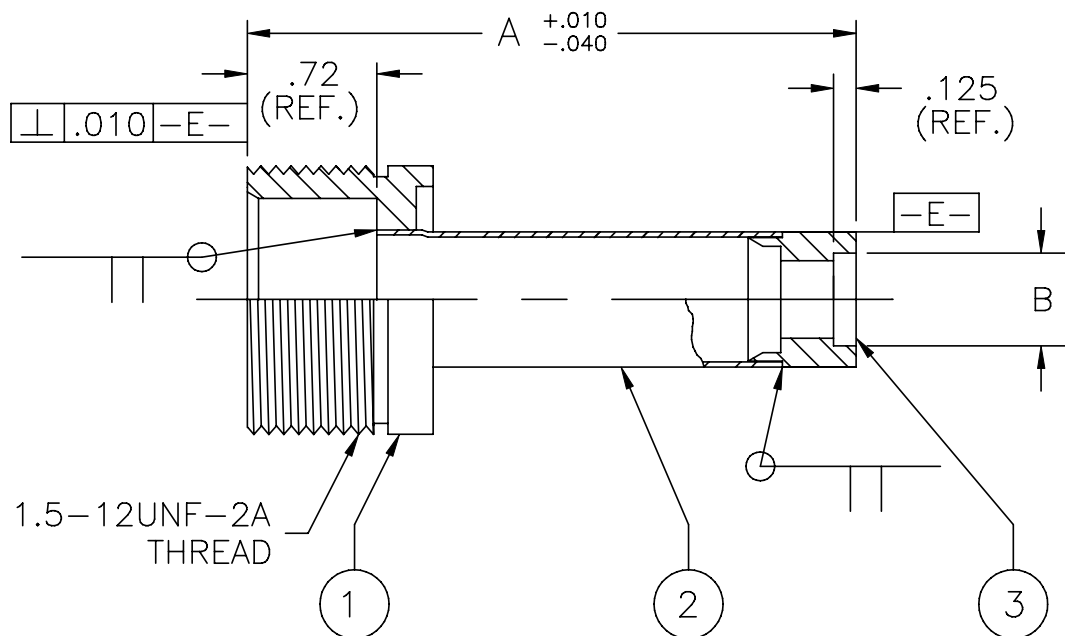


## CB700 CRYOGENIC BAYONETS SERIES

# Model CB704-5F3 Series

## • Female Bayonet Assembly 1/2" Size



### NOTES

- Heliarc weld continuous as shown
- Leak check welds to 1 X 10<sup>-9</sup> STD CC He/SEC
- Material: 300 Series Stainless Steel

Bayonet Assy	(1) Female Socket	(2) Female Tube	(3) Nose Piece	A	B
CB704-5F3	1CB702-5F1	2CB702-5F3	3CB704-5F1	3.38	.51
CB704-5F6	1CB702-5F1	2CB702-5F6	3CB704-5F1	6.38	.51
CB704-5F9	1CB702-5F1	2CB702-5F9	3CB704-5F1	8.82	.51
CB704-5F15	1CB702-5F1	2CB702-5F15	3CB704-5F1	14.82	.51



**CRYOGENIC VALVES and VACUUM COMPONENTS**

sales@cryocomp.com ▼ 908.686.3643 ▼ www.cryocomp.com

a division of Cryofab, Inc.

