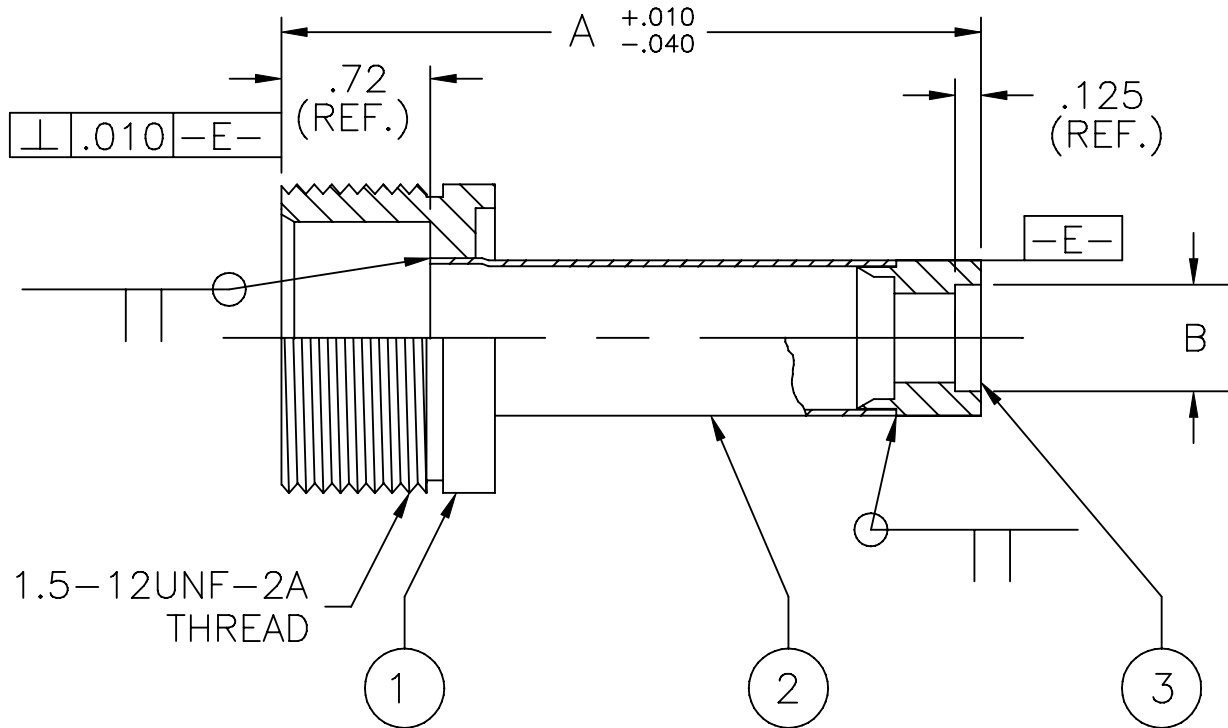


# Model CB704-5F Series

• Female Bayonet Assembly 1/2" Size



## NOTES

- Heliarc weld continuous as shown
- Leak check welds to  $1 \times 10^{-9}$  STD CC He/SEC
- Material: 300 Series Stainless Steel

Bayonet Assy	(1) Female Socket	(2) Female Tube	(3) Nose Piece	A	B
CB704-5F3	1CB702-5F1	2CB702-5F3	3CB704-5F1	3.38	.51
CB704-5F6	1CB702-5F1	2CB702-5F6	3CB704-5F1	6.38	.51
CB704-5F9	1CB702-5F1	2CB702-5F9	3CB704-5F1	8.82	.51
CB704-5F15	1CB702-5F1	2CB702-5F15	3CB704-5F1	14.82	.51