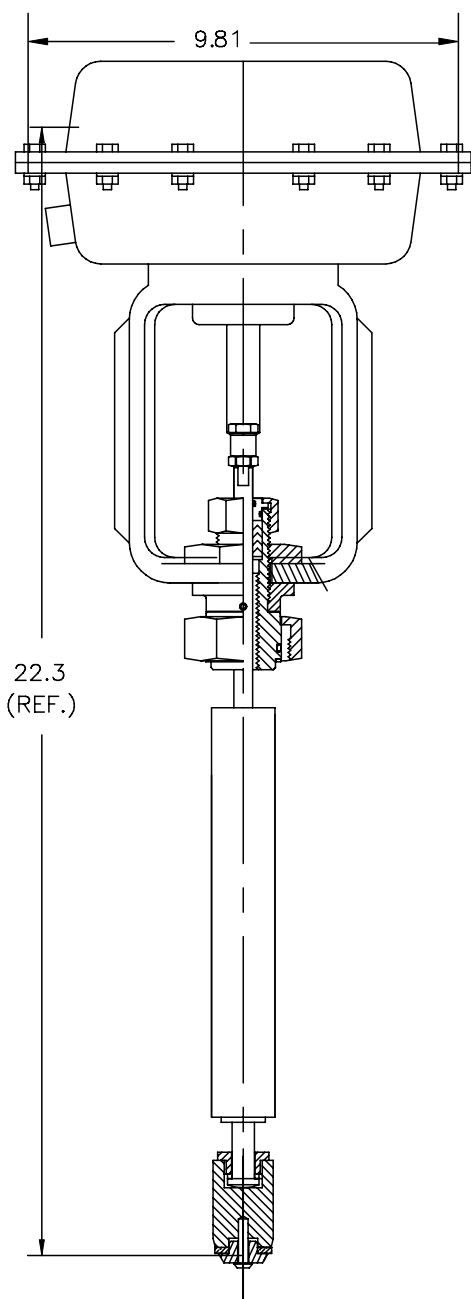


C2000 CRYOGENIC VALVE SERIES

Model C2081-A-TW

• 1" IPS Replacement Internal Valve Assembly w/ Pneumatic Actuator



FEATURES

- Pneumatic Actuator Air to Open
- Stem Seal (Nitrile O-Ring with Parker Lube)
- Cryogenic Stem Packing
- Brass Bonnet
- Cryogenic Bonnet Seal
- Plug to Stem Stabilizer
- Brass Plug
- KEL-F Seat Seal w/ Locked Thread

TECHNICAL DATA

- See C2081 Actuated Valve Model Product Sheet for Technical Data

APPLICATIONS

- Vacuum Jacketed Piping
- Cold Boxes
- Manifold and Tank Systems
- Liquid Nitrogen, Argon and Oxygen Service (with Proper Cleaning)