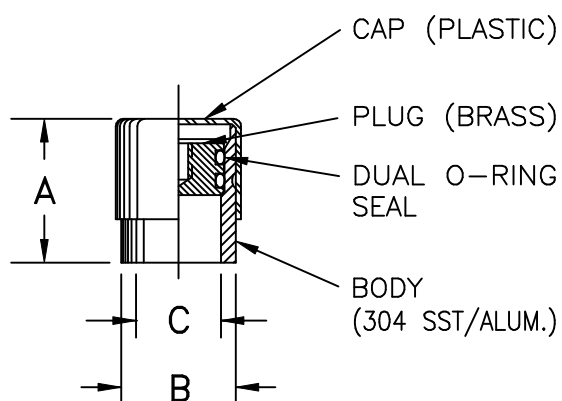


## V1000 VACUUM SEAL-OFF VALVE AND OPERATOR SERIES

# V1000 Series Seal-off Valve

The V1000 vacuum seal-off valve is an evacuation valve which provides an extra dimension to the vacuum system designer because it is compact, vacuum tight, and has excellent conductance. The basic weld on installation and simple operation will compliment any production evacuation design by reducing installation and evacuation time, improving vacuum reliability and reducing product cost.



## OPERATING SPECIFICATIONS

- **SERVICE:** High Vacuum.
- **PRESSURE:**  $1 \times 10^{-8}$  TORR Vacuum.
- **TEMPERATURE:** +150°F TO -60°F.
- **LEAK RATE:**  $1 \times 10^{-8}$  STD. CC GHe/SEC. (Seal Permeability).
- **CONNECTION:** Weld junction is standard. Thread and flange junctions available on special request.

## PART NUMBERS

SIZE	STAINLESS STEEL	ALUMINUM	A	B	C
1/4"	V1025-1	V1021-1	.59	.38	.19
1/2"	V1045-1	V1041-1	.81	.62	.46
1"	V1085-1	V1081-1	1.5	1.19	0.9
2"	V1165-1	V1161-1	2.25	2.5	2.0
3"	V1245-1	V1241-1	3.0	3.38	2.9

For valves with integral TC port, see data sheet for V1045-5 and V1085-5



**CRYOGENIC VALVES and VACUUM COMPONENTS**

sales@cryocomp.com ▼ 908.686.3643 ▼ www.cryocomp.com

a division of Cryofab, Inc.

