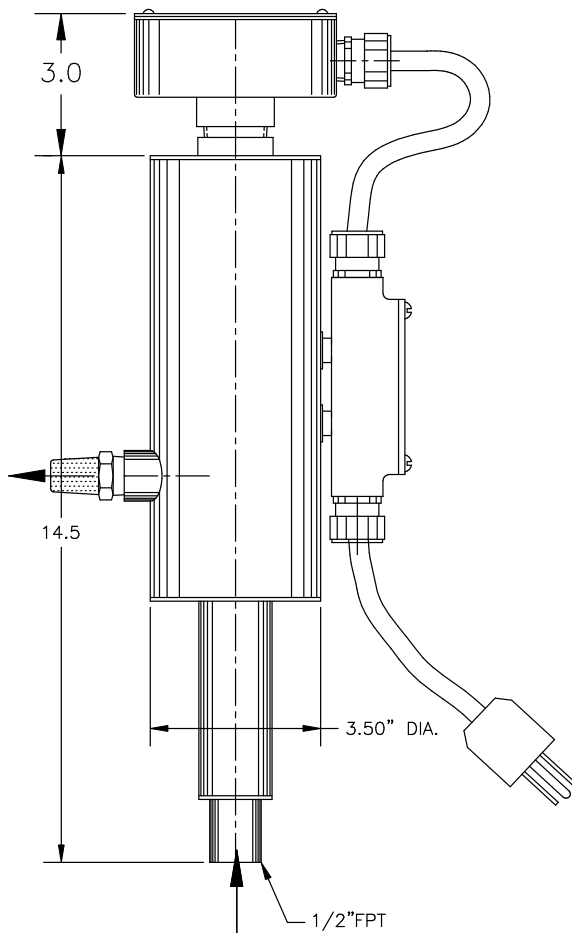


# H1500 Vapor Vent Heater

The H1500 500-Watts vapor vent heater is designed for installation on the outlet of any mechanical vapor vent to warm the exhaust gas to room temperature eliminating condensation and ice on the piping.



## FEATURES

- Installs on The Outlet Of Any Liquid Nitrogen Keepfull Device
- Eliminates Ice Formation on Vent Piping
- Eliminates Need For Insulation on Vent Piping
- Eliminates Need For Vent Piping In Large Room Discharge Area
- No More Condensate Drip on Floor and Ceiling Tiles

## TECHNICAL DATA

- 110 Vac/500 Watts or 220 Vac/500 Watts
- 375 Watts Option
- Line Cord Provided
- Over Temp Switch Included