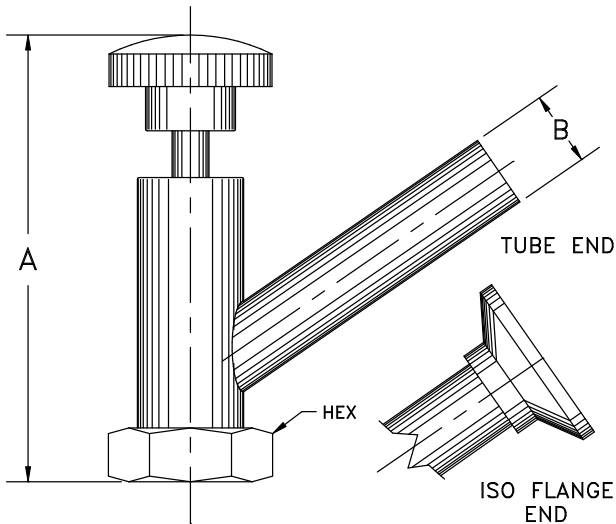


V1000 VACUUM SEAL-OFF VALVE AND OPERATOR SERIES

V1000 Series Operator

The V1000 valve operator is the connection between the V1000 seal-off valve and the vacuum pump. This tool removes and replaces the seal plug during the pump down operation using a tight seal at the body junction and a spring loaded, redundant seal on the shaft.

TC vacuum ports 2 available as option.



PART NUMBERS

SIZE	TUBE	FLANGE	A	B	HEX
1/4"	V1025-2	V1025-3-*	3.2	3/8	3/4
1/2"	V1045-2	V1045-3-*	3.5	5/8	1-3/16
1"	V1085-2	V1085-3-*	5.0	1-1/8	1-3/4
2"	V1165-2	V1165-3-*	5.3	2.0	N/A
3"	V1245-2	V1245-3-*	6.0	3.0	N/A

* Use KF flange size number, i.e. for KF-25, use 25—Example: V1045-3-25



CRYOGENIC VALVES and VACUUM COMPONENTS

sales@cryocomp.com ▼ 276.728.2064 ▼ www.cryocomp.com

a division of Cryofab, Inc.

