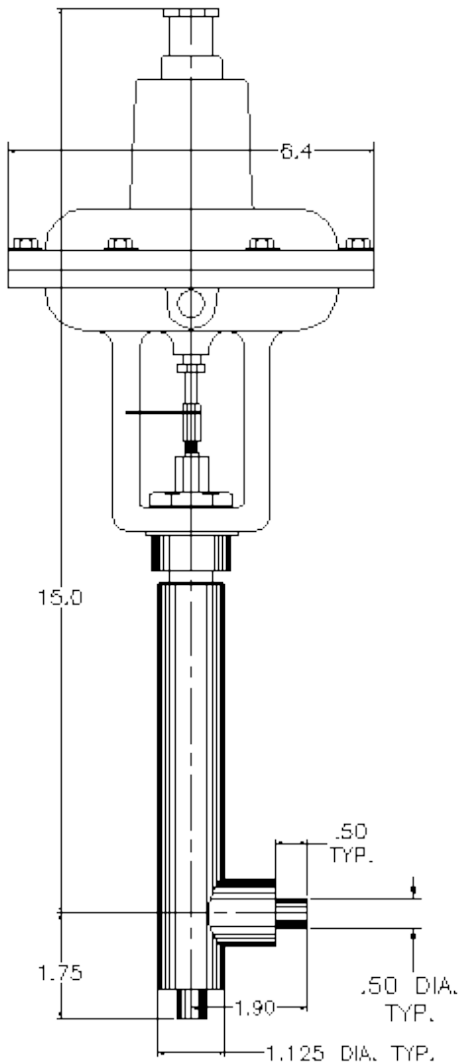


C5000 LIQUID HELIUM VALVE SERIES

Model C5042-A11

- 1/2" O.D. Tube Size Cryogenic Valve
- Actuated
- Vacuum Jacketed
- Right Angle Style Body



FEATURES

- Pneumatic Actuator
- Vacuum Tight Upper Seal Assembly
- Spring Loaded Dual O-ring Shaft Seal
- Stainless Steel Body, Stem and Jacket
- Low Heat Transfer Stem Assembly
- MLI on Jacketed Valves
- KEL-F Seat Seal
- Contoured Flow Plugs Available

TECHNICAL DATA

- 150 PSIG MAWP
- 225 PSIG Proof
- Seat Seal and Packing Leak Test Bubble Tight @ 150 PSIG @ Ambient Temperature
- Adapters Available For Smaller Sizes
- Designed For Vertical Operation Only
- Heat Leak: 2.4 BTU/HR 77° K
3.1 BTU/HR To 4° K
- Cooldown Mass: 0.18 Pounds
- Replaces Cryolab®CV9 Valve Series

APPLICATIONS

- Vacuum Jacketed Piping
- Cold Boxes
- Helium Transfer Lines



CRYOGENIC VALVES and VACUUM COMPONENTS

sales@cryocomp.com ▼ 276.728.2064 ▼ www.cryocomp.com

a division of Cryofab, Inc.

