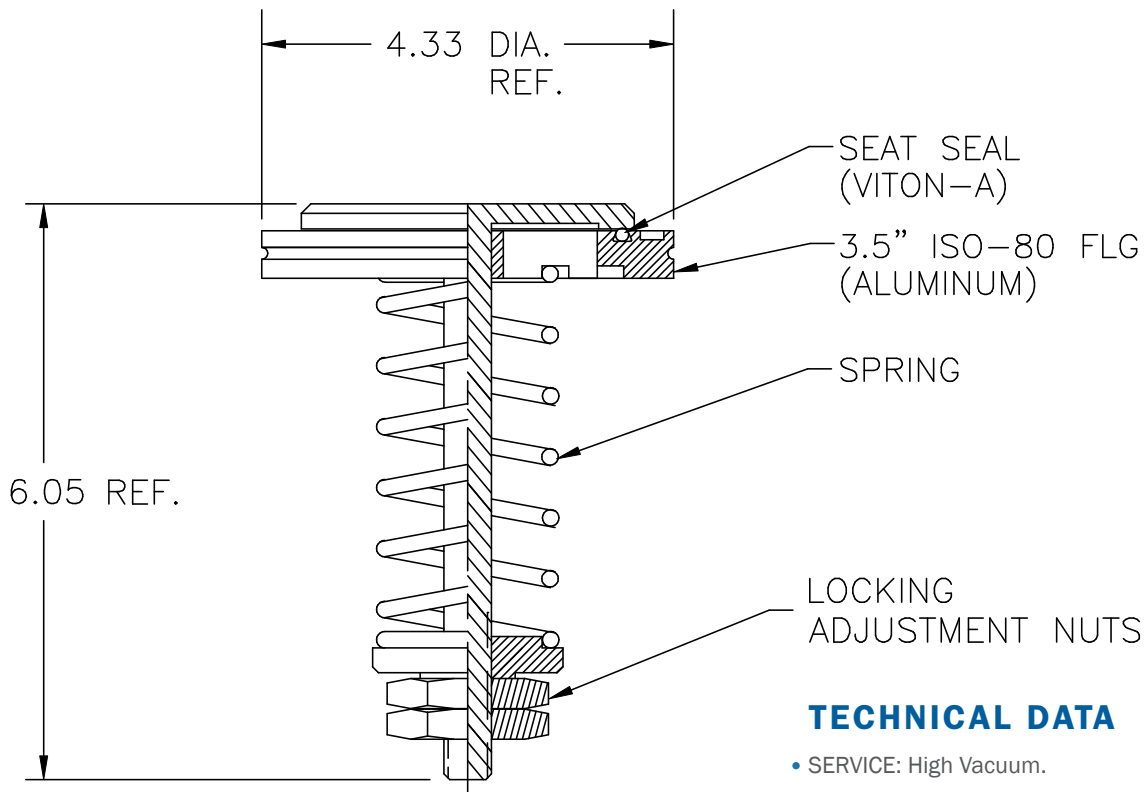


## V3000 PRESSURE RELIEF DISK SERIES

# V3000 Pressure Relief Disk

The Cryocomp V3241-10-(Set) pressure relief disk is a spring loaded, vacuum tight, positive pressure relieving valve. The poppet is spring loaded and seats against a viton o-ring. The poppet will lift if the pressure in the vacuum space reaches the pre-set relieving pressure. The body of the valve is low profile and designed with a flange connection allowing installation on any standard ISO flange. Relief pressures from 1 to 10 PSIG are available. This relief device is not certified and is not qualified to any code.



### TECHNICAL DATA

- SERVICE: High Vacuum.
- PRESSURE:  $1 \times 10^{-8}$  TORR vacuum to 10 PSIG positive.
- TEMPERATURE: +150°F to -60°F.
- LEAK RATE:  $1 \times 10^{-8}$  SCC GHe/SEC
- CONNECTION: Standard ISO flange face.
- CONNECTION: Standard weld jacket. Thread and ISO flange connections available on request.



**CRYOGENIC VALVES and VACUUM COMPONENTS**

sales@cryocomp.com ▼ 276.728.2064 ▼ www.cryocomp.com

a division of Cryofab, Inc.

