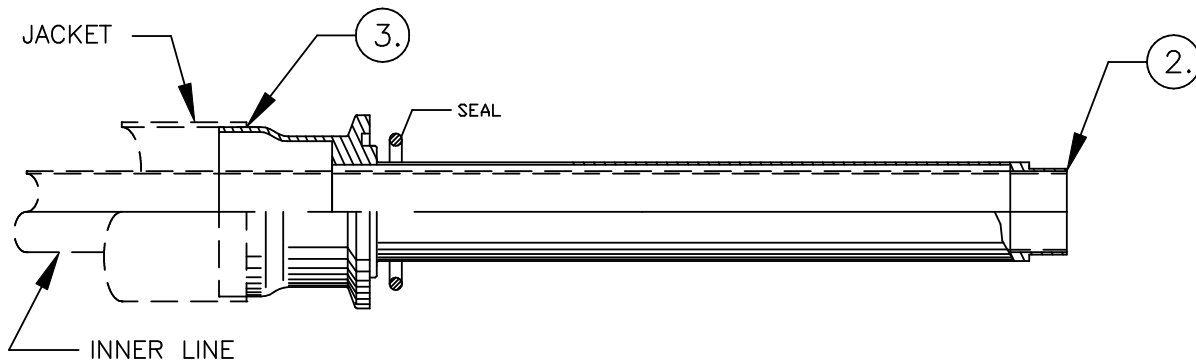


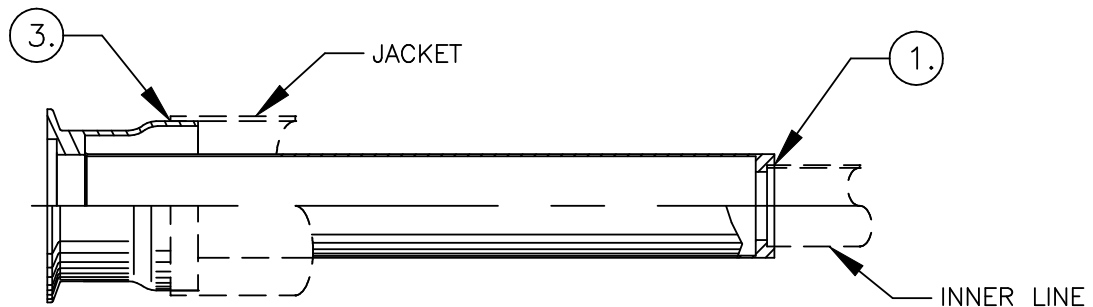
MALE BAYONET INSTALLATION

- STEP ①. WRAP INSULATION ON INNER LINE
POSITION BAYONET AS REQUIRED
- STEP ②. CUT INNER LINE TO FIT AND
FUSION WELD TO ADAPTER
- STEP ③. WELD OUTER JACKET TO ADAPTER



FEMALE BAYONET INSTALLATION

- STEP ①. INSTALL FEMALE END OF INNER LINE & WELD
- STEP ②. WRAP INSULATION ON INNER LINE & BAYONET
- STEP ③. SLIDE JACKET OVER CUFF & WELD IN PLACE



BAYONET INSTALLATION INSTRUCTIONS, PIPE SIZE BAYONET ASSEMBLIES

CRYOCOMP
CRYOGENIC AND VACUUM COMPONENTS

DWG NO.

B3000 SERIES



CRYOGENIC VALVES and VACUUM COMPONENTS

sales@cryocomp.com ▼ 276.728.2064 ▼ www.cryocomp.com

a division of Cryofab, Inc.

