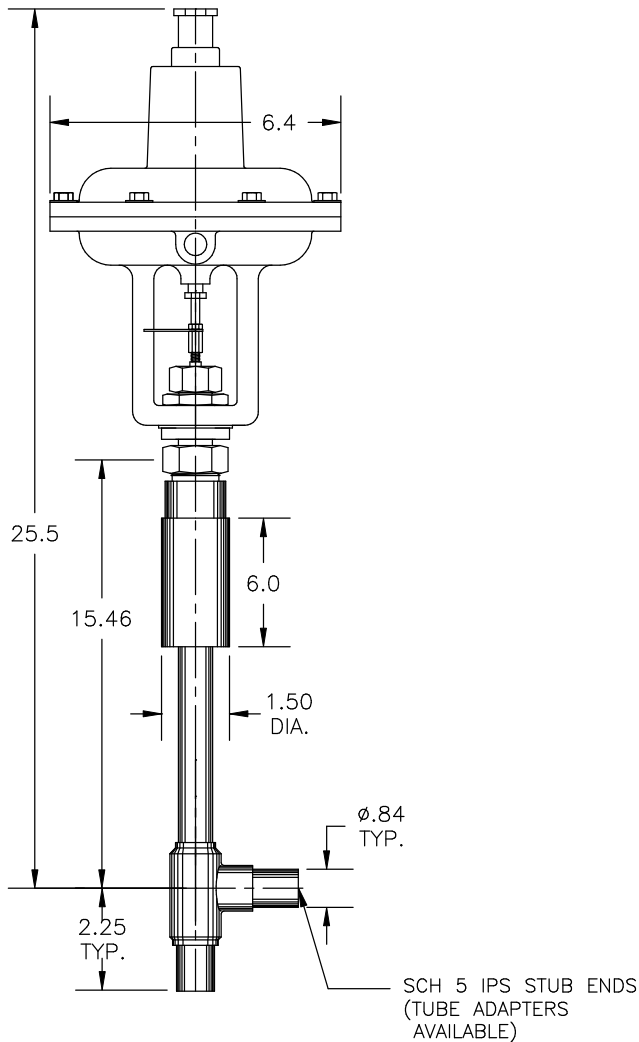


## C3000 LIQUID HELIUM VALVE SERIES

# Model C3042-A23

- 1/2" IPS LHe Valve
- Cold Box Cuff Or Jacketed
- Actuated
- Right Angle Style Body



## FEATURES

- Pneumatic Actuator Air To Open
- Redundant Stem Seal
- Cryogenic Stem Packing
- Brass Bonnet
- Redundant Cryogenic Bonnet Seal
- Bonnet Purge Port (Thermal Relief Location)
- All Stainless Steel Body and Stem
- Cold Box Cuff (Full Jacket Available)
- MLI on Jacketed Valves
- Low Thermal Conductivity Stem and Support Tube
- Brass Plug
- Plug To Stem Stabilizer
- KEL-F Seat Seal w/ Locked Thread Insert
- Contoured Flow Plug Available

## TECHNICAL DATA

- 300 PSIG MAWP
- 450 PSIG Proof
- Packing Mass Spec Tested @  $1 \times 10^{-5}$  TORR.
- Leak Rate Below  $1 \times 10^{-8}$  CC GHe/SEC.
- Heat Leak: 3.5 BTU/HR (1 Watt)
- Seat Seal Helium Bubble Tight Tested @ 150 PSIG @ Ambient Temperature
- Cooldown Mass: 0.65 Pounds
- Options:  
Bonnet Purge Port  
Full Lower Jacket  
JT Flow Plugs

## APPLICATIONS

- Vacuum Jacketed Piping
- Cold Boxes
- Helium Transfer Lines
- Helium Liquefiers



**CRYOGENIC VALVES and VACUUM COMPONENTS**

sales@cryocomp.com ▼ 908.686.3643 ▼ www.cryocomp.com

a division of Cryofab, Inc.

