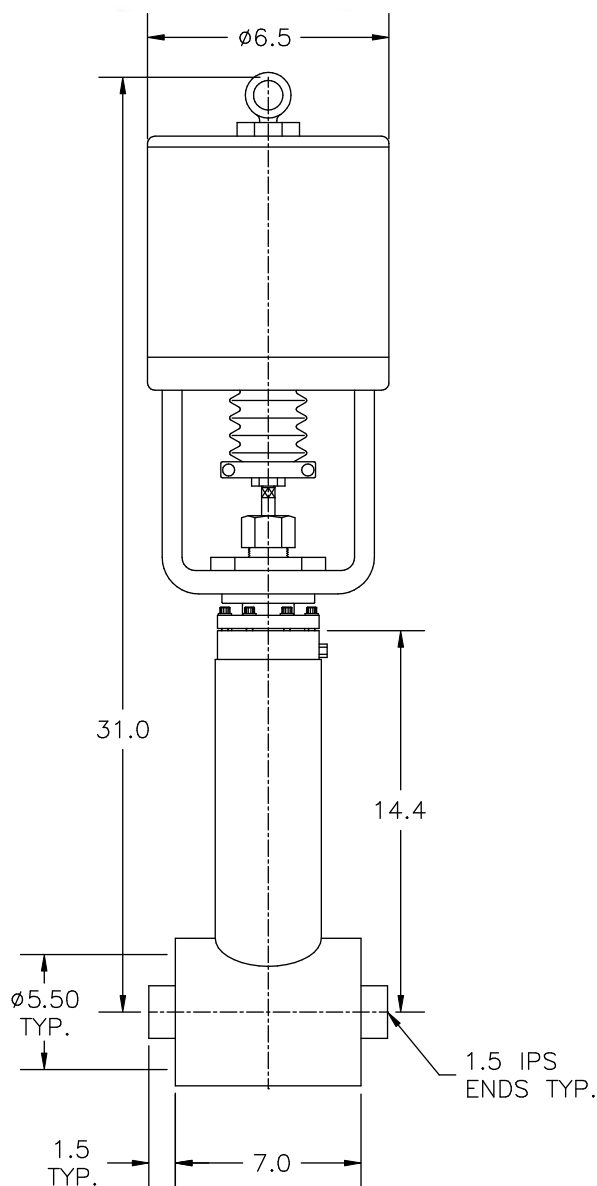


C2000 CRYOGENIC VALVE SERIES

Model C2121-A21

- 1 1/2" IPS Pipe Size Cryogenic Valve
- Actuated
- Vacuum Jacketed
- Globe Style Body



FEATURES

- Pneumatic Actuator Air To Open
- Stainless Steel Body, Stem and Jacket
- Redundant Stem Seal
- Cryogenic Stem Packing
- Brass Bonnet
- Redundant Cryogenic Bonnet Seal
- Bonnet Purge Port (Thermal Relief Location)
- Tight Fit Stem
- MLI on Jacketed Valves
- Brass Plug
- Plug To Stem Stabilizer
- KEL-F Seat Seal w/ Locked Thread

TECHNICAL DATA

- 300 PSI MAWP (Maximum Operating Pressure)
- Seat Seal Bubble Tight @ 150 PSIG
- Packing Mass Spec Tested @ 1×10^{-5} TORR
- Leak Rate Below 1×10^{-9} CC GHe/SEC
- Heat Leak: 27.1 BTU/HR To 20° K
- Cooldown Mass: 13.5 Pounds
- Options:
 - Cold Box Jacket
 - Manual Operation
 - Relief Valve
 - Flow Plugs

APPLICATIONS

- Vacuum Jacketed Piping
- Cold Boxes
- Manifold and Tank Systems
- Liquid Nitrogen, Helium, Hydrogen, Argon, and Oxygen Service (with Proper Cleaning)



CRYOGENIC VALVES and VACUUM COMPONENTS

sales@cryocomp.com ▼ 908.686.3643 ▼ www.cryocomp.com

a division of Cryofab, Inc.

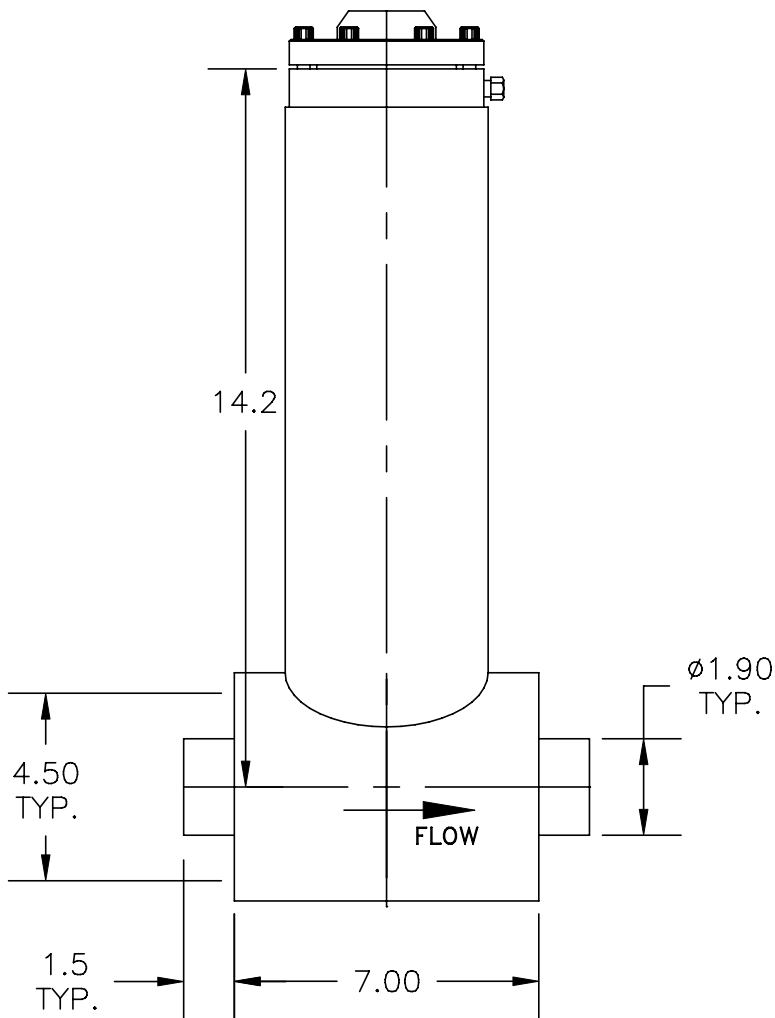


C2000 CRYOGENIC VALVE SERIES

Model C2121-K21

DISCONTINUED?

• 1.5" IPS Cryogenic Check Valve



FEATURES

- Brass Bonnet
- Redundant Cryogenic Bonnet Seals
- Bonnet Purge Ports (Thermal Relief Location)
- All Stainless Steel Body
- Close Tolerance Stem
- MLI on Jacketed Valves
- Brass Plug with Stabilizer
- KEL-F Seat Seal
- 3 PSI Crack Pressure

TECHNICAL DATA

- 300 PSIG MAWP
450 PSIG Proof
- External Seals Mass Spec Tested @ 1×10^{-5} Torr
- Vacuum Leak Rate Below 1×10^{-9} CC GHe/SEC
- Heat Leak: 27.3 BTU/HR to 20° K
- Cooldown Mass: 10.5 Pounds
- Must Be Used with Bonnet Axis Vertical

APPLICATIONS

- Vacuum Jacketed Piping
- Cold Boxes
- Manifold and Tank Systems
- Liquid Nitrogen, Helium, Hydrogen, Argon, and Oxygen Service (with Proper Cleaning)



CRYOGENIC VALVES and VACUUM COMPONENTS

sales@cryocomp.com ▼ 908.686.3643 ▼ www.cryocomp.com

a division of Cryofab, Inc.

