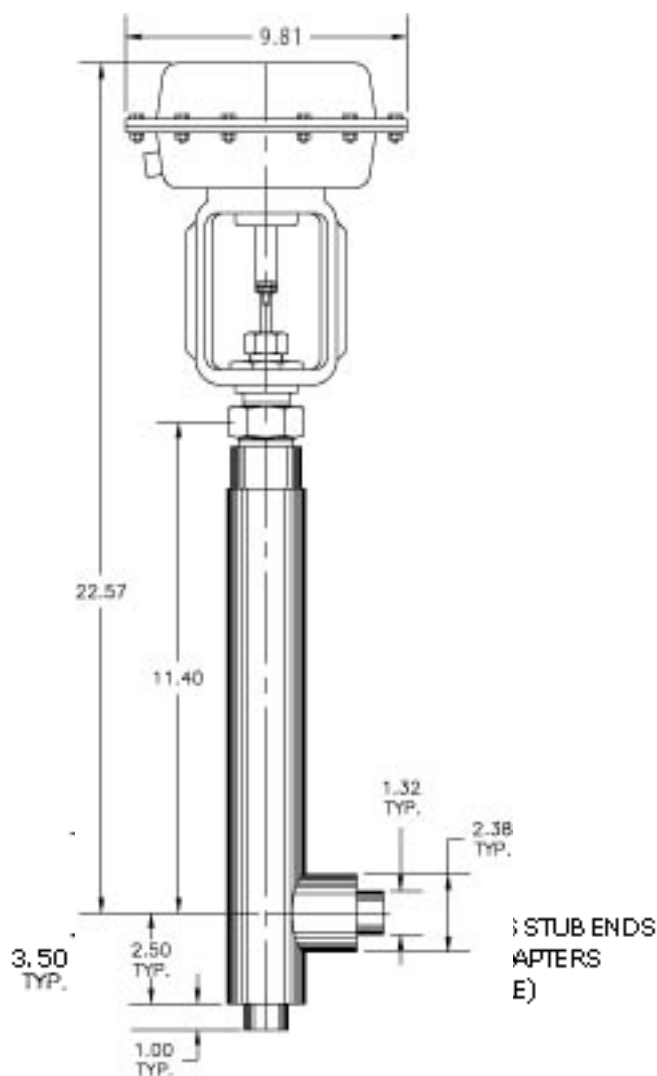


C2000 CRYOGENIC VALVE SERIES

Model C2082-A21

- 1" IPS Pipe Size Cryogenic Valve
- Actuated
- Vacuum Jacketed
- Right Angle Style Body



FEATURES

- Pneumatic Actuator Air To Open
- Stainless Steel Body, Stem and Threads
- Redundant Stem Seal
- Cryogenic Stem Packing
- Brass Bonnet
- Redundant Cryogenic Bonnet Seal
- Bonnet Purge Port (Thermal Relief Location)
- Tight Fit Stem
- MLI on Jacketed Valves
- Brass Plug
- Plug To Stem Stabilizer
- KEL-F Seat Seal w/ Locked Thread

TECHNICAL DATA

- 300 PSIG MAWP
450 PSIG Rating
- Seat Seal Bubble Tight @ 150 PSIG.
- Packing Mass Spec Tested @ 1×10^{-5} TORR Vacuum.
Leak Rate Below 1×10^{-9} CC GHe/SEC.
- Vacuum Leak Rate Below 1×10^{-9} CC GHe/SEC
- Heat Leak: 10.4 BTU/HR To 20° K
- Cooldown Mass: 1.75 Pounds
- Options:
Cold Box Jacket
Manual Operation
Relief Valve
Flow Plugs

APPLICATIONS

- Vacuum Jacketed Piping
- Cold Boxes
- Manifold and Tank Systems
- Liquid Nitrogen, Argon and Oxygen Service (with Proper Cleaning)



CRYOGENIC VALVES and VACUUM COMPONENTS

sales@cryocomp.com ▼ 276.728.2064 ▼ www.cryocomp.com

a division of Cryofab, Inc.

