

V1000 VACUUM VALVE SERIES

Model V1045-2

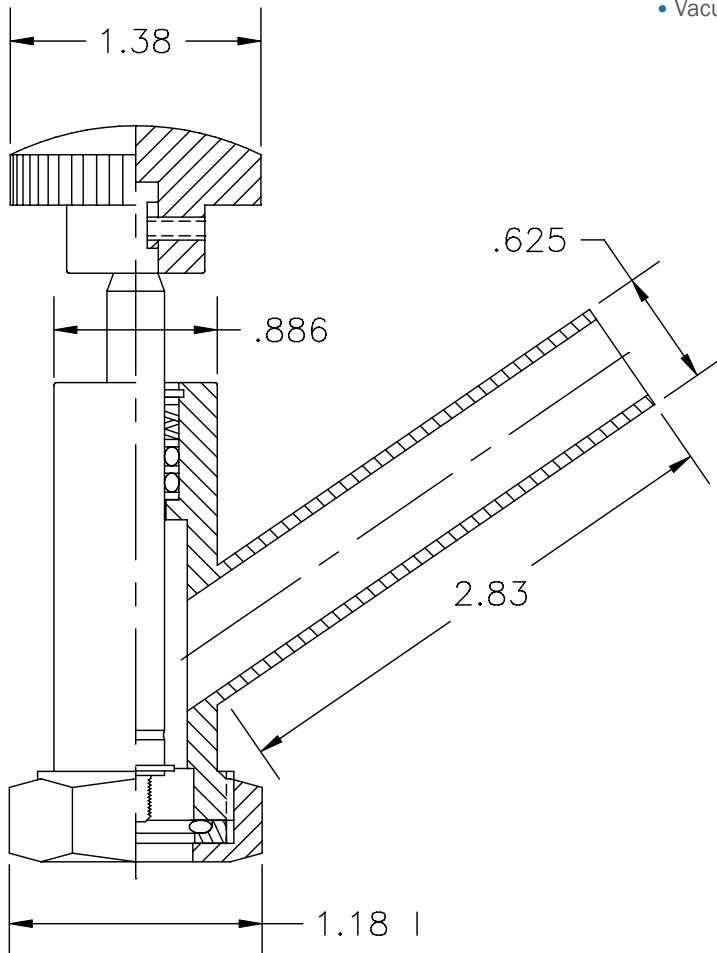
• ½" Pipe End Vacuum Valve Operator

FEATURES

- Simple, Inexpensive And Reliable
- Tight Seal At The Body Junction
- Spring Loaded, Redundant Seal on Shaft
- Pipe End Connection Between V1045 Seal-off Valve and Pump
- Removes And Replaces The Seal Plug During The Pump Down Operation
- For Flange End, See V1045-3

APPLICATIONS

- Piping and Flexlines
- Vacuum Insulated Piping Systems



CRYOGENIC VALVES and VACUUM COMPONENTS

sales@cryocomp.com ▼ 276.728.2064 ▼ www.cryocomp.com

a division of Cryofab, Inc.

