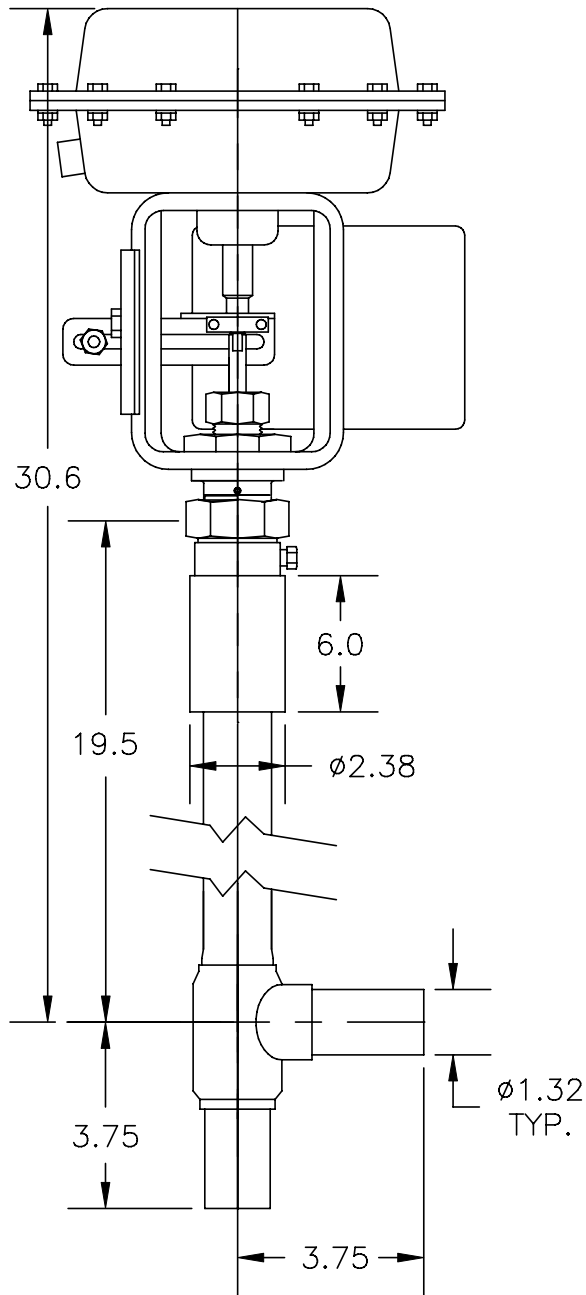


Model C3082-C23A

• 1" IPS Cryogenic Liquid Helium Control Valve With Pneumatic Actuator



FEATURES

- Pneumatic Actuator (Fail Closed)
- 1-P Positioner
- Stainless Steel Stem & Threads
- Redundant Stem Seal
- Cryogenic Stem Packing
- Brass Bonnet
- Redundant Cryogenic Bonnet Seal
- Bonnet Purge Port (Thermal Relief Location)
- All Stainless Steel Body & Stem
- Tight Fit Stem
- Brass Plug
- Plug to Stem Stabilizer
- KEL-F Seat Seal w/ Locked Thread
- Flow Plug (Equal %)

TECHNICAL DATA

- 150 PSIG Working Pressure
300 PSIG Rating
- Seat Seal Bubble Tight @ 150 PSIG
- Packing Mass Spec Tested @ 1×10^{-5} Torr Vacuum
Leak Rate Below 1×10^{-9} CC GHe/SEC
- Heat Leak: 6.26 BTU/HR to 20° K
- Cooldown Mass: 3.80 Pounds

APPLICATIONS

- Vacuum Jacketed Piping
- Cold Boxes
- Helium Transfer Lines
- Helium Liquefiers