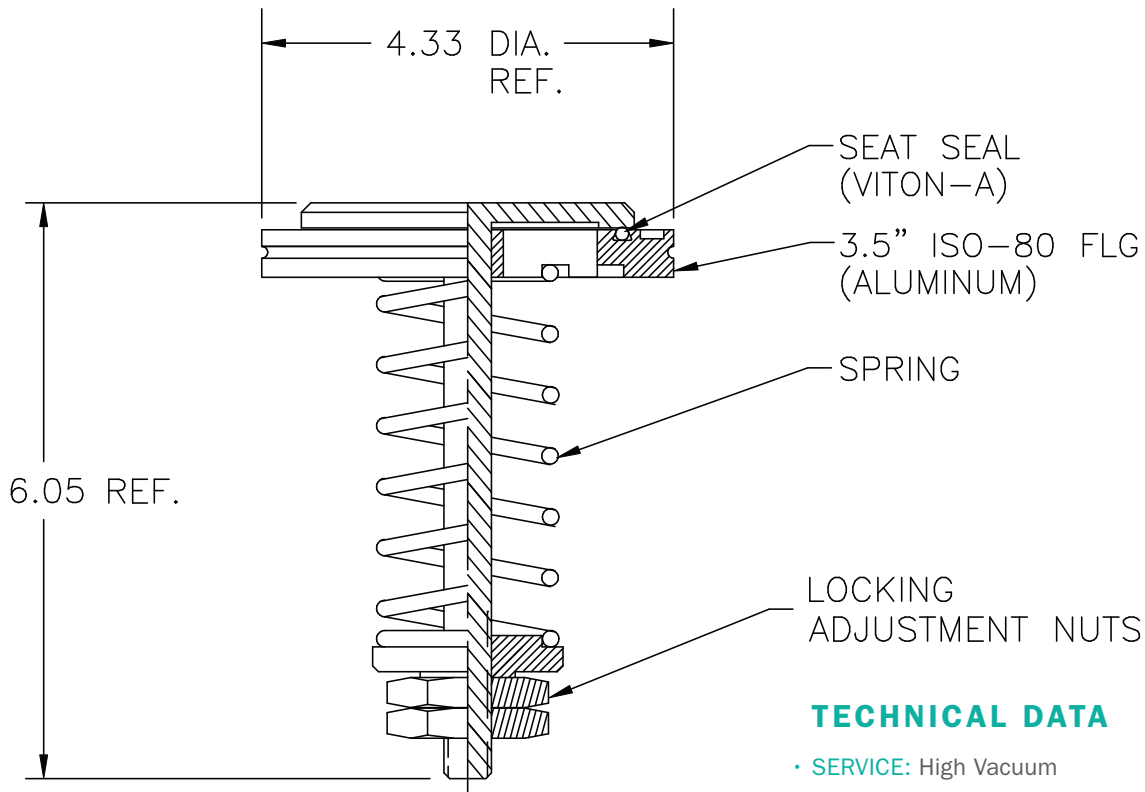


V3000 PRESSURE RELIEF DISK SERIES

V3000 Pressure Relief Disk

The Cryocomp V3241-10-(Set) pressure relief disk is a spring loaded, vacuum tight, positive pressure relieving valve. The poppet is spring loaded and seats against a viton o-ring. The poppet will lift if the pressure in the vacuum space reaches the pre-set relieving pressure. The body of the valve is low profile and designed with a flange connection allowing installation on any standard ISO flange. Relief pressures from 1 to 10 PSIG are available. This relief device is not certified and is not qualified to any code.



TECHNICAL DATA

- **SERVICE:** High Vacuum
- **PRESSURE:** 1×10^{-8} TORR vacuum to 10 PSIG positive
- **TEMPERATURE:** +150°F to -60°F
- **LEAK RATE:** 1×10^{-8} SCC GHe/SEC
- **CONNECTION:** Standard ISO flange face