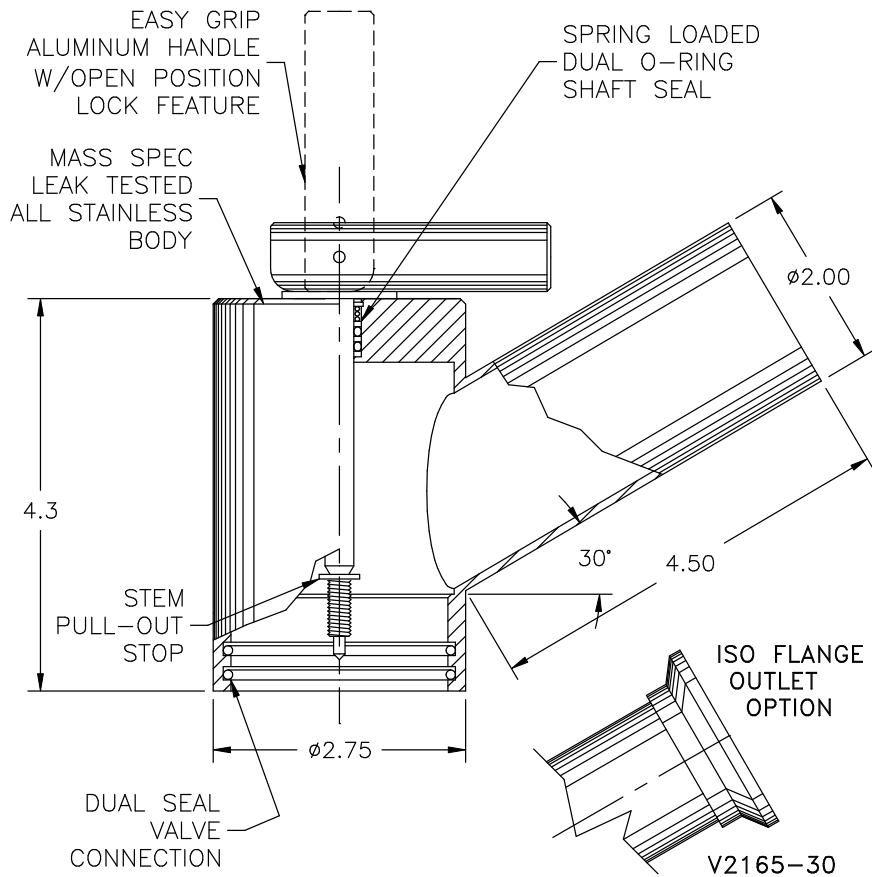


V2000 VACUUM SEAL-OFF VALVE AND OPERATOR SERIES

V2000 Series Operator

The V2000 valve operator is the connection between the V2000 seal-off valve and the vacuum pump. This tool removes and replaces the seal plug during the pump down operation using a tight seal at the body junction and a spring loaded, redundant seal on the shaft. TC vacuum tube ports and ISO flange outlets are available as options.



TC VACUUM TUBE PORT AVAILABLE