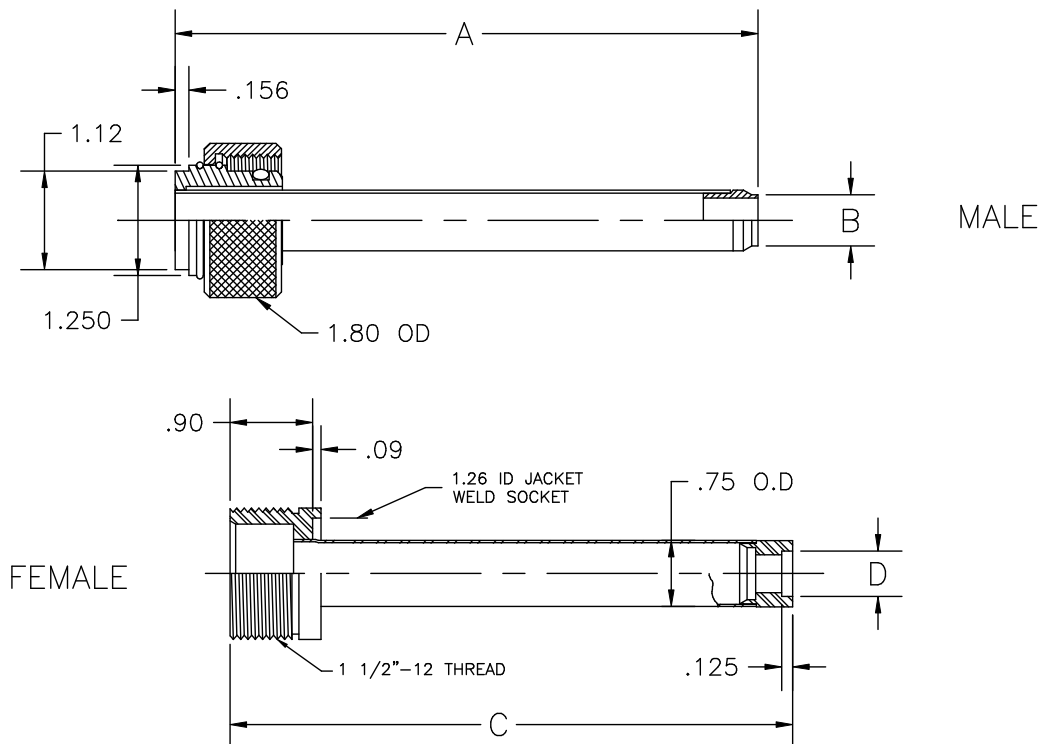


## CB700 CRYOGENIC BAYONET SERIES

# CB700 Cryogenic Bayonet

The CB700 series bayonet is designed in three thermal lengths: 3" to interchange with existing Linde installations, 6" and 9" allowing the user to design around most thermal and physical criteria. The CB700 bayonet series will operate efficiently in the vertical or horizontal positions and is recommended for use with most cryogenic fluids including nitrogen, oxygen (with proper cleaning and seal material), argon, and helium.

The inner lines are tube size and available in 1/2" OD only. Adapters are available for 1/4" and 3/8" OD sizes. All sizes are rated for 150 PSIG MAWP.



## APPLICATIONS

- Vacuum Insulated Flex Lines
- Cryogenic Piping Systems
- Helium Transfer Lines

\*All bayonets are 1/2" OD tube sizes with adapters supplied for 1/4" and 3/8" OD sizes.

MALE				
MODEL #	SIZE *	A	B	HEAT LEAK BTU/HR
<b>3" LONG SERIES</b>				
CB702-5M3	1/4"	3.54	0.51	21 (SET)
CB703-5M3	3/8"	3.54	*	21 (SET)
CB704-5M3	1/2"	3.54	*	21 (SET)
<b>6" LONG SERIES</b>				
CB702-5M6	1/4"	6.54	0.51	11 (SET)
CB703-5M6	3/8"	6.54	*	11 (SET)
CB704-5M6	1/2"	6.54	*	11 (SET)
<b>9" LONG SERIES</b>				
CB702-5M9	1/4"	8.97	0.51	7.2 (SET)
CB703-5M9	3/8"	8.97	*	7.2 (SET)
CB704-5M9	1/2"	8.97	*	7.2 (SET)
<b>15" LONG SERIES</b>				
CB704-5M15	1/2"	14.97	0.51	4.3 (SET)

FEMALE				
MODEL #	SIZE *	C	D	HEAT LEAK BTU/HR
<b>3" LONG SERIES</b>				
CB702-5F3	1/4"	3.38	0.51	21 (SET)
CB703-5F3	3/8"	3.38	*	21 (SET)
CB704-5F3	1/2"	3.38	*	21 (SET)
<b>6" LONG SERIES</b>				
CB702-5F6	1/4"	6.38	0.51	11 (SET)
CB703-5F6	3/8"	6.38	*	11 (SET)
CB704-5F6	1/2"	6.38	*	11 (SET)
<b>9" LONG SERIES</b>				
CB702-5F9	1/4"	8.82	0.51	7.2 (SET)
CB703-5F9	3/8"	8.82	*	7.2 (SET)
CB704-5F9	1/2"	8.82	*	7.2 (SET)
<b>15" LONG SERIES</b>				
CB704-5F15	1/2"	14.82	0.51	4.3 (SET)