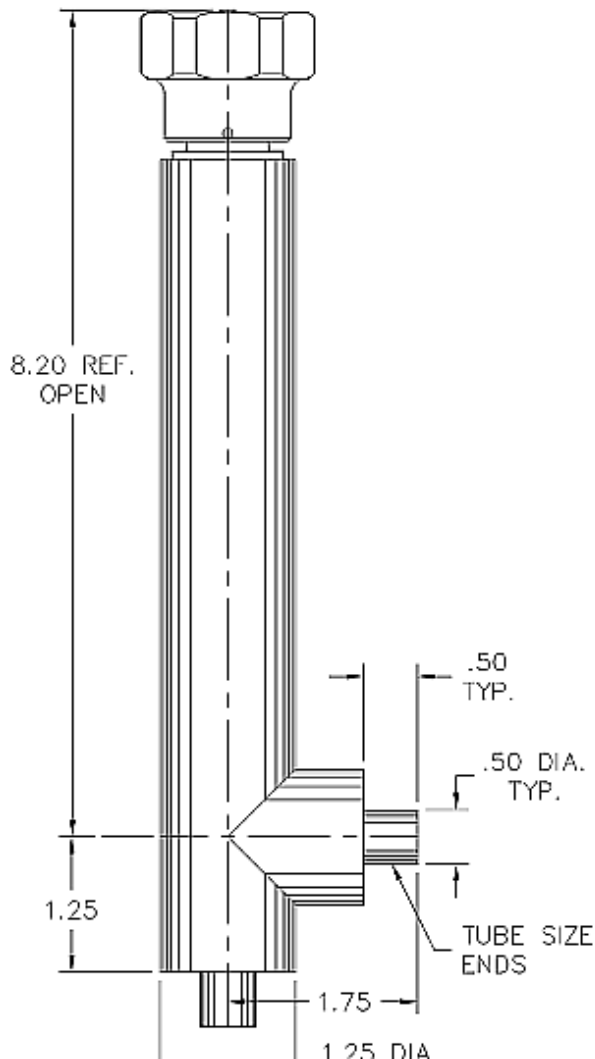


## C5000 LIQUID HELIUM VALVE SERIES

# Model C5042-M11

- 1/2" O.D. Tube Size Cryogenic Valve
- Manual Operation
- Vacuum Jacketed
- Right Angle Style Body



## FEATURES

- Manual Operation (Actuators Available)
- Vacuum Tight Upper Seal Assembly
- Spring Loaded Dual O-ring Shaft Seal
- All Stainless Steel Body and Jackets
- Low Heat Transfer Stem Assembly
- MLI on Jacketed Valves
- KEL-F Seat Seal
- Contoured Flow Plugs Available

## TECHNICAL DATA

- 150 PSIG MAWP
- 225 PSIG Proof
- Heat Leak: 2.4 BTU/HR 77°K  
3.1 BTU/HR To 4°K
- Cooldown Mass: 0.18 Pounds
- Seat Seal and Packing Leak Test Bubble Tight @ 150 PSIG @ Ambient Temperature
- Adapters Available For Smaller Sizes
- See P/N C1000KIT For Pneumatic Actuator Kit
- Designed For Vertical Operation Only
- Replaces Cryolab® CV9 Valve Series

## APPLICATIONS

- Vacuum Jacketed Piping
- Cold Boxes
- Helium Transfer Lines