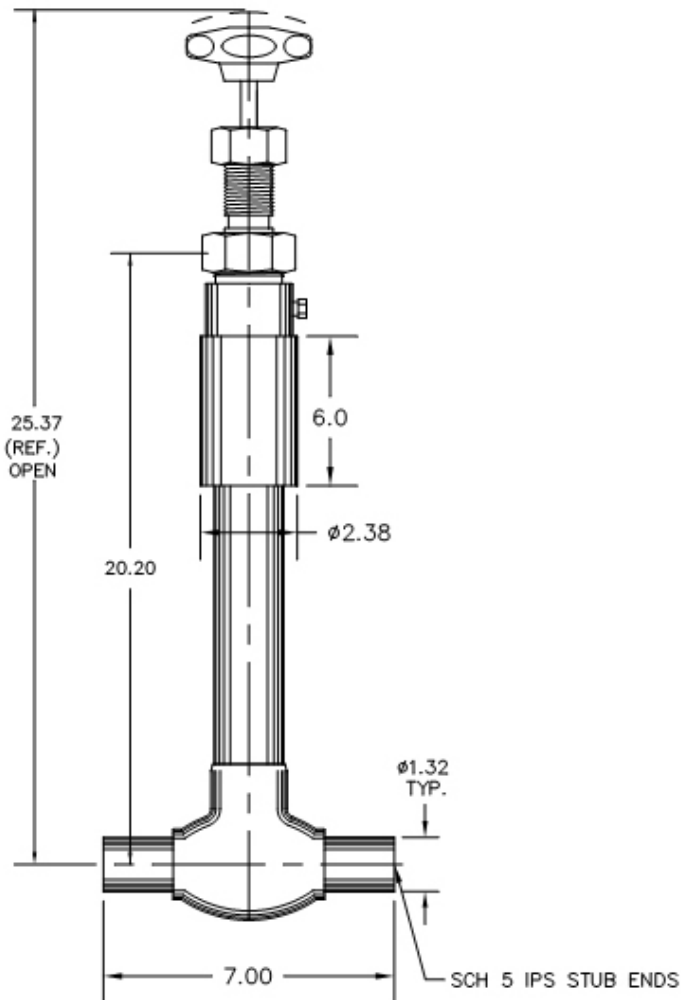


C3000 LIQUID HELIUM VALVE SERIES

Model C3081-M23

- 1" IPS LHe Globe Valve
- Cold Box Cuff Or Jacketed
- Manual Operation
- Globe Style Body



FEATURES

- Low Handle Torque for Bubble Tight Shutoff
- Redundant Stem Seal
- Cryogenic Stem Packing
- Brass Bonnet
- Redundant Cryogenic Bonnet Seal
- Bonnet Purge Port (Thermal Relief Location)
- Stainless Steel Body and Stem
- Cold Box Cuff (Full Jacket Available)
- MLI on Jacketed Valves
- Low Thermal Conductivity Stem and Support Tube
- Brass Plug
- Plug To Stem Stabilizer
- KEL-F Seat Seal w/ Locked Thread Insert
- Contoured Flow Plug Available

TECHNICAL DATA

- 300 PSIG MAWP
- 450 PSIG Proof
- Seat Seal Bubble Tight @ 150 PSIG
- Packing Mass Spec Tested @ 1×10^{-5} TORR
- Leak Rate Below 1×10^{-8} CC GHe/SEC
- Seat Seal Helium Bubble Tight Tested @ 150 PSIG @ Ambient Temperature
- Heat Leak: 6.25 BTU/HR (1.8 WATTS)
- Cooldown Mass: 3.25 Pounds
- Options:
 - Bonnet Purge Port
 - Full Lower Jacket
 - Pneumatic Actuator
 - Flow Plugs

APPLICATIONS

- Vacuum Jacketed Piping
- Cold Boxes
- Helium Transfer Lines
- Helium Liquefiers