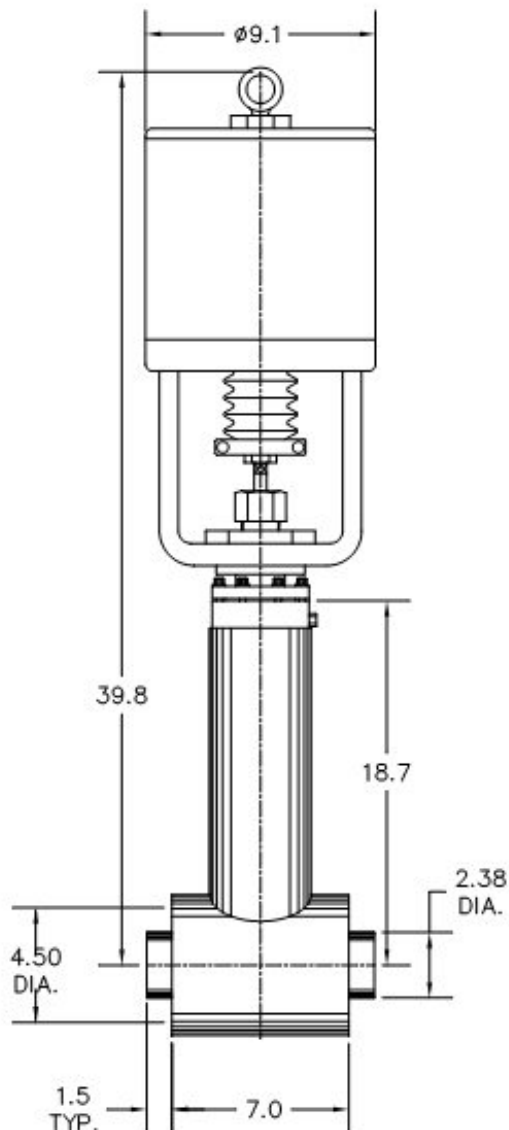


C2000 CRYOGENIC VALVE SERIES

Model C2161-A21

- 2" IPS Pipe Size Cryogenic Valve
- Actuated
- Vacuum Jacketed
- Globe Style Body



FEATURES

- Pneumatic Actuator Air to Open
- Stainless Steel Body, Stem and Jacket
- Redundant Stem Seal
- Cryogenic Stem Packing
- Brass Bonnet
- Redundant Cryogenic Bonnet Seal
- Bonnet Purge Port (Thermal Relief Location)
- Tight Fit Stem
- MLI on Jacketed Valves
- Brass Plug
- Plug To Stem Stabilizer
- KEL-F Seat Seal w/ Locked Thread

TECHNICAL DATA

- 300 PSIG MAWP
- 450 PSIG Proof
- Seat seal bubble tight @ 150 PSIG.
- Packing mass spec tested @1x10⁻⁵ TORR
- Vacuum leak rate below 1x10⁻⁹ CC GHe/SEC
- Heat leak: 27.1 BTU/HR to 20°K
- Cooldown mass: 13.5 Pounds
- Options:
 - Cold Box Jacket
 - Manual Operation
 - Relief Valve
 - Flow Plugs

APPLICATIONS

- Vacuum Jacketed Piping
- Cold Boxes
- Manifold and Tank Systems
- Liquid Nitrogen, Argon and Oxygen Service (with Proper Cleaning)