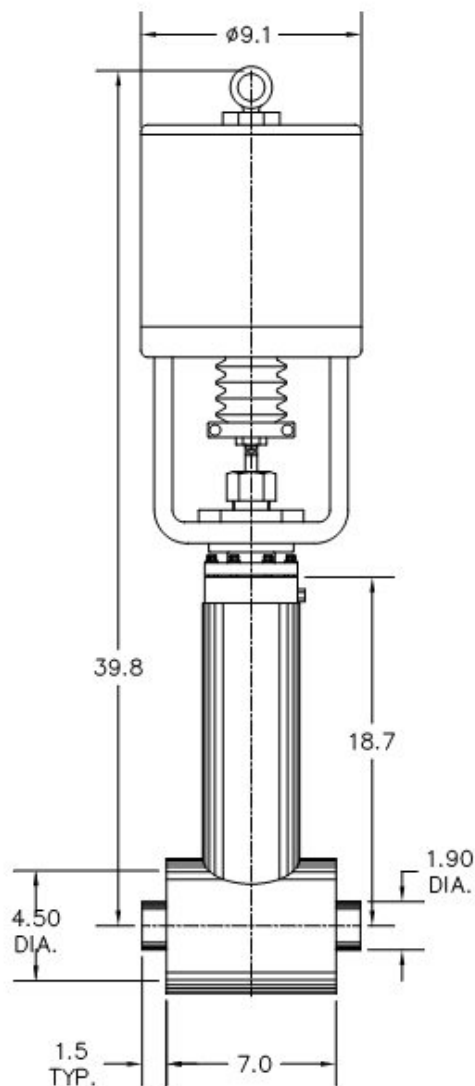


C2000 CRYOGENIC VALVE SERIES

Model C2121-A21

- 1 1/2" IPS Pipe Size Cryogenic Valve
- Actuated
- Vacuum Jacketed
- Globe Style Body



FEATURES

- Pneumatic Actuator Air To Open
- Stainless Steel Body, Stem and Jacket
- Redundant Stem Seal
- Cryogenic Stem Packing
- Brass Bonnet
- Redundant Cryogenic Bonnet Seal
- Bonnet Purge Port (Thermal Relief Location)
- Tight Fit Stem
- MLI on Jacketed Valves
- Brass Plug
- Plug To Stem Stabilizer
- KEL-F Seat Seal w/ Locked Thread

TECHNICAL DATA

- 300 PSIG MAWP
- 450 PSIG Rating
- Seat Seal Bubble Tight @ 150 PSIG.
- Packing Mass Spec Tested @ 1×10^{-5} TORR Vacuum.
- Vacuum Leak Rate Below 1×10^{-9} CC GHe/SEC
- Heat Leak: 27.1 BTU/HR To 20°K
- Cooldown Mass: 13.5 Pounds
- Options:
 - Cold Box Jacket
 - Manual Operation
 - Relief Valve
 - Flow Plugs

APPLICATIONS

- Vacuum Jacketed Piping
- Cold Boxes
- Manifold and Tank Systems
- Liquid Nitrogen, Argon and Oxygen Service (with Proper Cleaning)