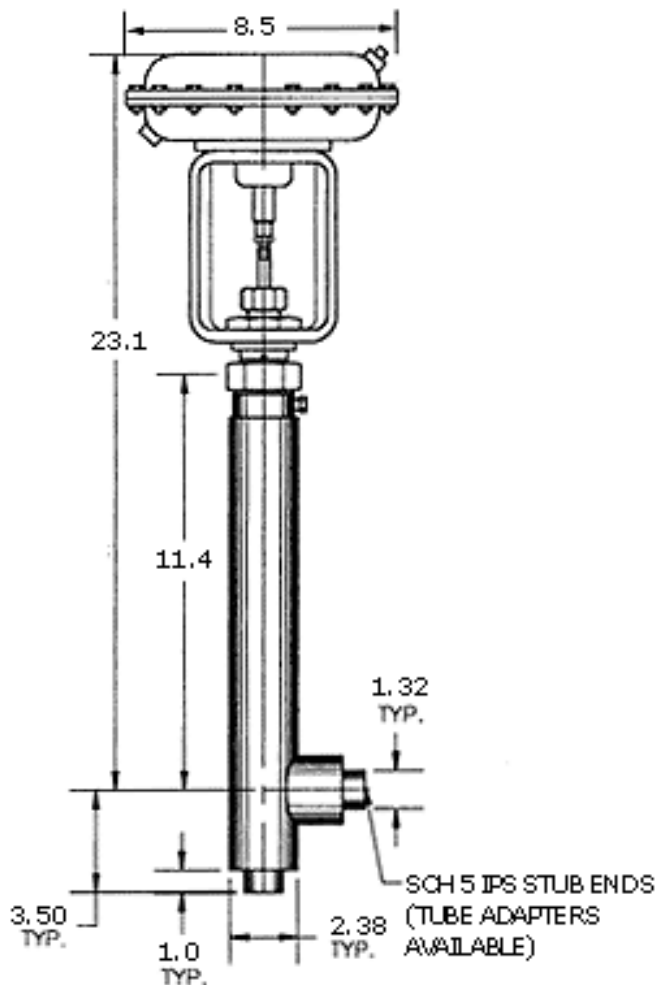


## C2000 CRYOGENIC VALVE SERIES

# Model C2082-A21

- 1" IPS Pipe Size Cryogenic Valve
- Actuated
- Vacuum Jacketed
- Right Angle Style Body



## FEATURES

- Pneumatic Actuator Air To Open
- Stainless Steel Body, Stem and Threads
- Redundant Stem Seal
- Cryogenic Stem Packing
- Brass Bonnet
- Redundant Cryogenic Bonnet Seal
- Bonnet Purge Port (Thermal Relief Location)
- Tight Fit Stem
- MLI on Jacketed Valves
- Brass Plug
- Plug To Stem Stabilizer
- KEL-F Seat Seal w/ Locked Thread

## TECHNICAL DATA

- 300 PSIG MAWP  
450 PSIG Rating
- Seat Seal Bubble Tight @ 150 PSIG.
- Packing Mass Spec Tested @ $1 \times 10^{-5}$  TORR Vacuum.  
Leak Rate Below  $1 \times 10^{-9}$  CC GHe/SEC.
- Vacuum Leak Rate Below  $1 \times 10^{-9}$  CC GHe/SEC
- Heat Leak: 10.4 BTU/HR To 20°K
- Cooldown Mass: 1.75 Pounds
- Options:
  - Cold Box Jacket
  - Manual Operation
  - Relief Valve
  - Flow Plugs

## APPLICATIONS

- Vacuum Jacketed Piping
- Cold Boxes
- Manifold and Tank Systems
- Liquid Nitrogen, Argon and Oxygen Service (with Proper Cleaning)