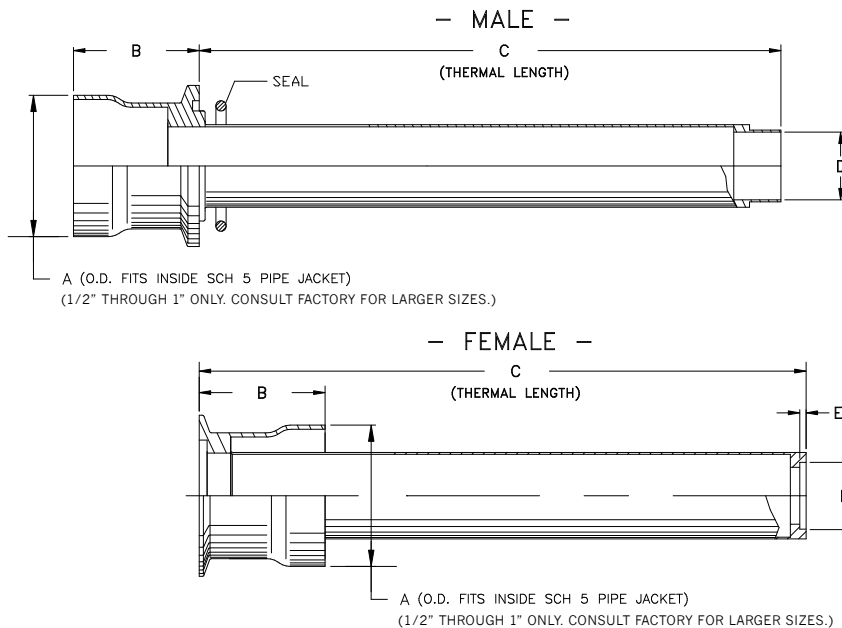


B3000 CRYOGENIC BAYONET SERIES

B3000 Cryogenic Bayonet

The B3000 is a high efficiency cryogenic connection for vacuum insulated piping systems. The design utilizes an extremely close fit between the male and mating female bayonet establishing a gas pocket between the liquid interface and the flange seal. The very small gas pocket and the thin stainless elements contribute to the high efficiency of this design. The primary seal is a silicone o-ring at the flange location. The close design tolerances eliminate the necessity of a nose seal.



TECHNICAL DATA

- Highly Efficient and Reliable Close Tolerance Design for Vertical or Horizontal Applications.
- Designed For Fast and Convenient Installation For Piping Fabricators. No Clamshell Required.
- MAWP: 300 PSIG.
Proof: 450 PSIG.
- All Internal Components Leak Tested to 1×10^{-9} SCC GHe/SEC.
- Convenient V-band Closure. Bolted Flange Optional.

APPLICATIONS

- Vacuum Insulated Flex Lines
- Cold Box Interface Connections
- Tank and Truck Fill Connections

MALE BAYONETS

PART NO.	DESCRIPTION	A	B	C	D	SEAL
B3049-MB	1/2" IPS MALE BAYONET ASSEMBLY	2.21	3.5	9.24	.85	2-224
B3069-MB	3/4" IPS MALE BAYONET ASSEMBLY	2.21	3.5	9.24	1.07	2-224
B30812-MB	1" IPS MALE BAYONET ASSEMBLY	2.69	3.5	12.1	1.32	2-329
B31212-MB	1-1/2" IPS MALE BAYONET ASSEMBLY	3.52	4.0	11.9	1.91	2-345
B31612-MB	2" IPS MALE BAYONET ASSEMBLY	4.52	3.8	11.9	2.38	2-345

FEMALE BAYONETS

PART NO.	DESCRIPTION	A	B	C	D	E	CLAMP
B3049-FB	1/2" IPS FEMALE BAYONET ASSEMBLY	2.21	3.5	9.65	.85	.10	B3049-VB
B3069-FB	3/4" IPS FEMALE BAYONET ASSEMBLY	2.21	3.5	9.65	1.07	.10	B3049-VB
B30812-FB	1" IPS FEMALE BAYONET ASSEMBLY	2.69	3.5	12.5	1.32	.10	B30812-VB
B31212-FB	1-1/2" IPS FEMALE BAYONET ASSEMBLY	3.52	12.84	14.2	1.91	1.0	B31212-VB
B31612-FB	2" IPS FEMALE BAYONET ASSEMBLY	4.52	3.8	12.4	2.38	.12	B31612-VB

THERMAL DATA

SIZE (IPS)	THERMAL LENGTH	LN2 HEAT LEAK (BTU/HR)	COOLDOWN MASS (LBS.)
1/2"	9"	8.4	0.8
1"	12"	6.7	1.5
1-1/2"	12"	14.3	2.68
2"	12"	20.1	3.65

The B3000 bayonet series will operate efficiently in the vertical position (male on top) or horizontal position and is recommended for atmospheric gases. Specify Cryocomp B3000 bayonets on your next vacuum insulated piping job.